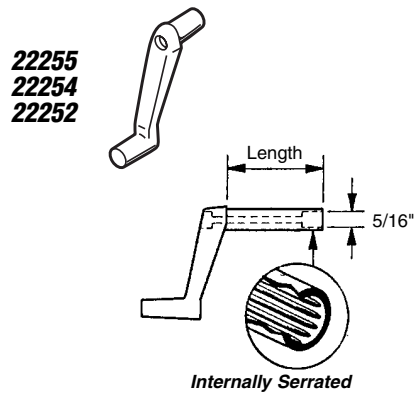


**223242** (13/16" stem length)  
**223243** (1-3/4" stem length)  
**221790** (2-1/8" stem length)  
**221787** (3-1/8" stem length)

**Handle**

**Contents:** 2 handles; 2 installation screws.

**Description:** Brown plastic crank; internally serrated to fit 5/16" spindle; used on crank-out windows.

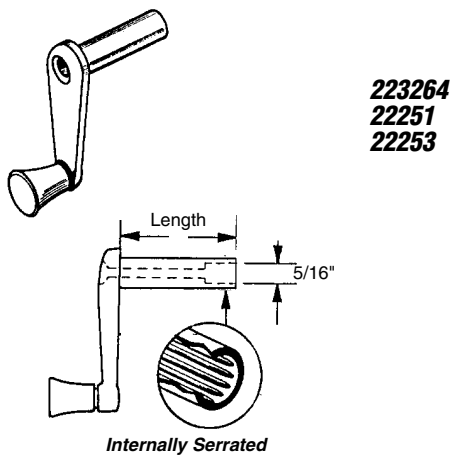


**22255** (1/4" stem length)  
**22254** (3/4" stem length)  
**22252** (1-3/4" stem length)

**Handle**

**Contents:** 1 handle; 1 installation screw.

**Description:** Diecast crank; internally serrated to fit 5/16" spindle; used on crank-out windows.

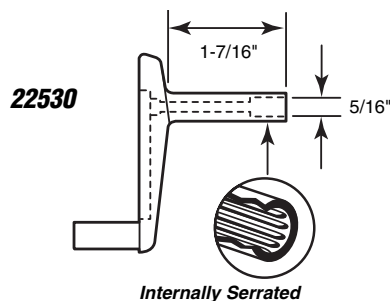


**223264** (1/2" stem length)  
**22251** (1" stem length)  
**22253** (1-1/4" stem length)

**Handle**

**Contents:** 1 handle with installation screw.

**Description:** Diecast crank and swivel knob; internally serrated to fit 5/16" spindle; used on crank-out windows.



**22530**

**Handle**

**Contents:** 1 handle; 1 installation screw.

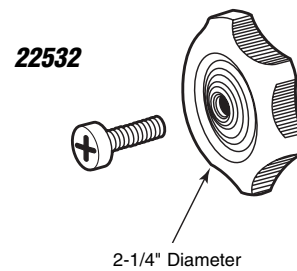
**Description:** Beige plastic crank; internally serrated to fit 5/16" spindle; fits on crank-out windows or top vents by **Hehr**.

## 22532

### Handle

**Contents:** 1 handle; 1 no. 8-32 x 5/8" Phillips pan head machine screw.

**Description:** Heavy-duty plastic knob; 1/4" shank; internally serrated to fit 5/16" spindle; used on top vents or sun roofs.

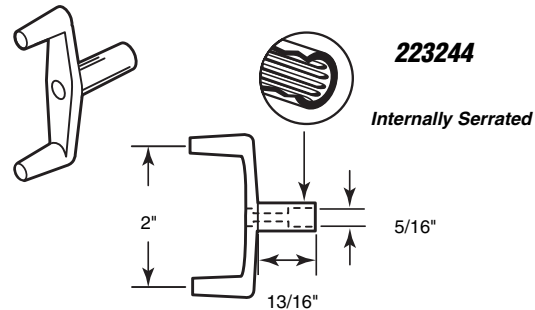


## 223244

### Handle

**Contents:** 2 handles; 2 no. 8-32 x 1" slotted Fillister head machine screws.

**Description:** Dual-grip, white nylon crank handle; internally serrated to fit 5/16" spindle; used on crank-out windows and roof vents.

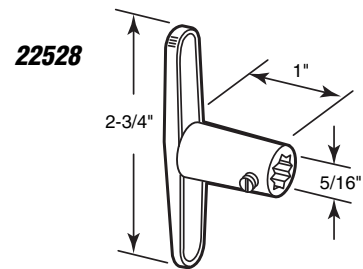


## 22528

### Handle

**Contents:** 1 handle with set screw.

**Description:** Diecast crank handle; heavy-duty construction; internally serrated to fit 5/16" spindle; used on crank-out windows or roof vents.

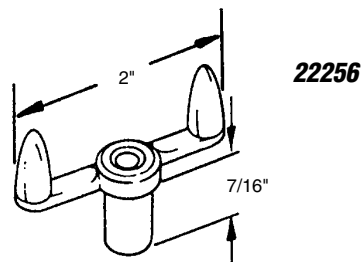


## 22256

### Handle

**Contents:** 1 handle; 1 no. 8-32 x 5/8" Phillips pan head machine screw.

**Description:** Dual-grip, diecast crank handle; internally serrated to fit 5/16" spindle; used on crank-out windows.



## 22250-A (7/8" long)

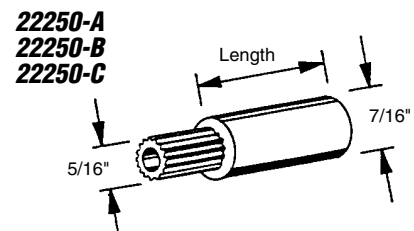
## 22250-B (1-1/8" long)

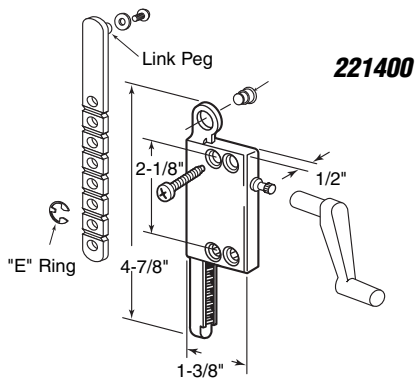
## 22250-C (2" long)

### Handle Extension

**Contents:** 1 extension with screw.

**Description:** Diecast extender; serrated both internally and externally for 5/16" spindle applications; for use with crank-out window and roof vent handles.



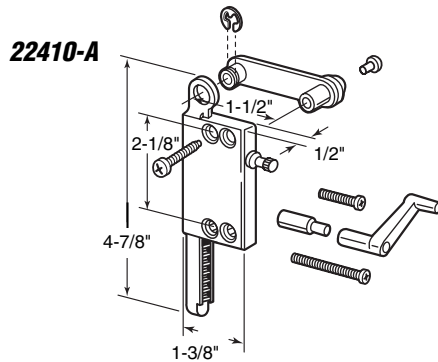


**221400**

**Awning or Louvre Window Operator**

**Contents:** 1 operator; 1 extension arm; 1 crank handle; 1 set of installation hardware.

**Description:** Diecast rack operator; adjustable break-off link extension arm for universal application; 5/16" spindle size; used on either left or right handed windows; **side mount**.

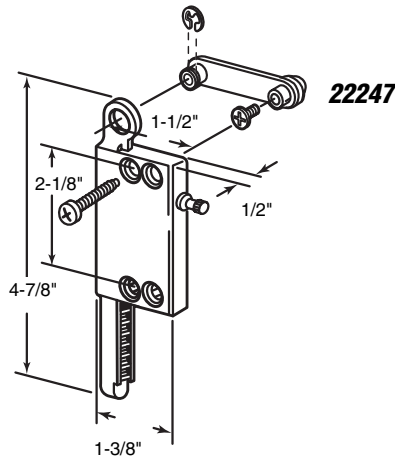


**22410-A**

**Louvre Window Operator**

**Contents:** 1 operator; 1 crank handle; 1 link assembly; 1 crank handle extension; 1 set of installation hardware.

**Description:** Diecast rack operator, gear link and shaft extension; 5/16" spindle size; used on either left or right handed windows; **side mount**.

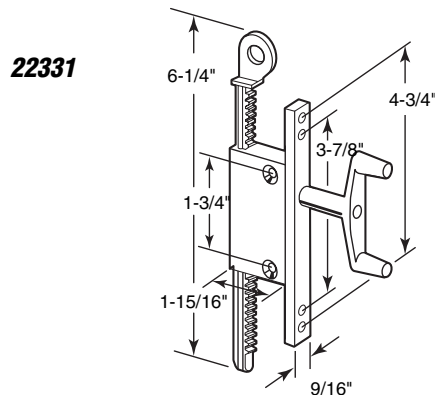


**22247**

**Louvre Window Operator**

**Contents:** 1 operator; 1 link assembly; 1 set of installation hardware.

**Description:** Diecast rack operator and attachment link; 5/16" spindle size; can be used on either left or right handed windows; **side mount**.



**22331**

**Louvre Window Operator**

**Contents:** 1 operator; 1 crank handle; 1 set of installation screws.

**Description:** Diecast rack operator; 5/16" spindle size; **plastic** dual-grip crank handle; **face mounted**; non-handed.

*Call for Availability*

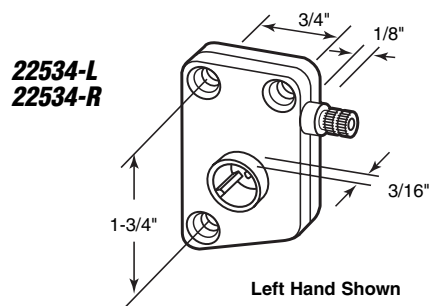
**22534-L** (Left hand)  
**22534-R** (Right hand)

## Slant Sill Operator

**Contents:** 1 operator; 1 set of installation screws.

**Description:** Diecast operator; used on either awning or louvre windows; side mount for slanted sill.

**Note:** Hand determined from outside of window looking in.



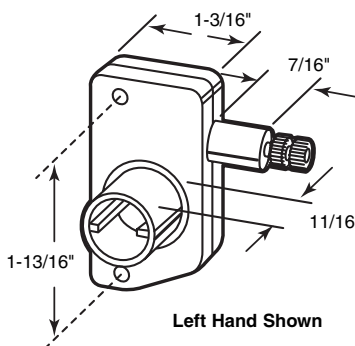
**22335-L** (Left hand)  
**22335-R** (Right hand)

## Slant Sill "Mini" Operator

**Contents:** 1 operator; 1 set of installation screws.

**Description:** Diecast operator; used on either awning or louvre windows; "mini size"; side mount for slanted sill.

**Note:** Hand determined from outside of window looking in.



**22335-L**  
**22335-R**

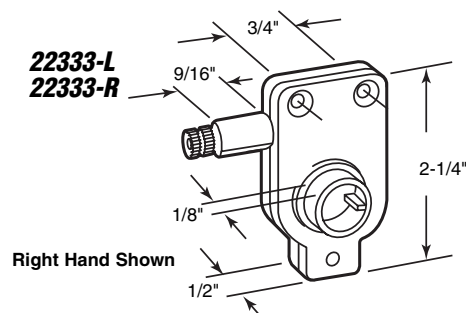
**22333-L** (Left hand)  
**22333-R** (Right hand)

## Torque Operator

**Contents:** 1 operator; 1 set of installation screws.

**Description:** Diecast operator; used on either awning or louvre windows; side mount.

**Note:** Hand determined from outside of window looking in.



**22333-L**  
**22333-R**

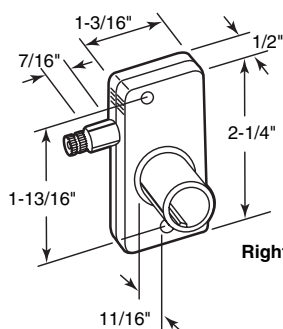
**223246** (Left hand)  
**223247** (Right hand)

## Torque Operator

**Contents:** 1 operator; 1 set of installation screws.

**Description:** Diecast operator; used on either awning or louvre windows; side mount.

**Note:** Hand determined from outside of window looking in.



**223246**  
**223247**

*Call for Availability*

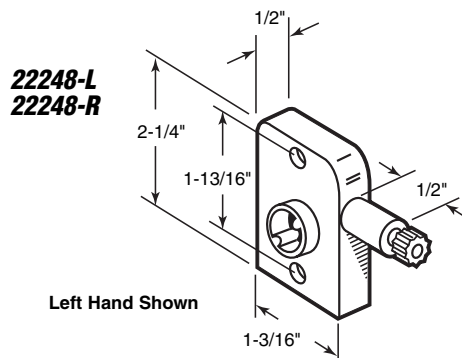
**22248-L** (Left hand)  
**22248-R** (Right hand)

## Torque Operator

**Contents:** 1 operator; 1 set of installation screws.

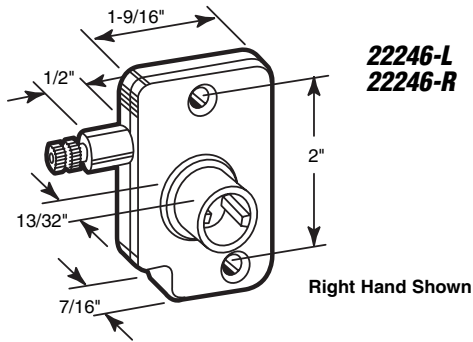
**Description:** Diecast operator; used on either awning or louvre windows; side mount; used by Sun Valley and others.

**Note:** Hand determined from outside of window looking in.



**22248-L**  
**22248-R**

*Call for Availability*



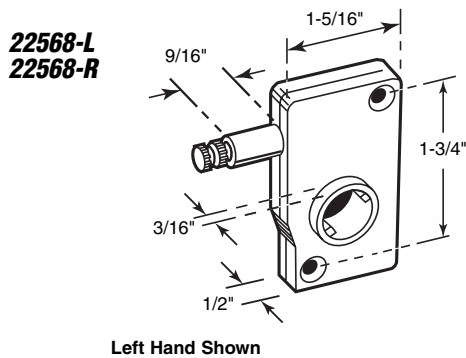
**22246-L** (Left hand)  
**22246-R** (Right hand)

**Torque Operator**

**Contents:** 1 operator; 1 set of installation screws.

**Description:** Diecast operator; used on either awning or louvre windows; side mount.

**Note:** Hand determined from outside of window looking in.



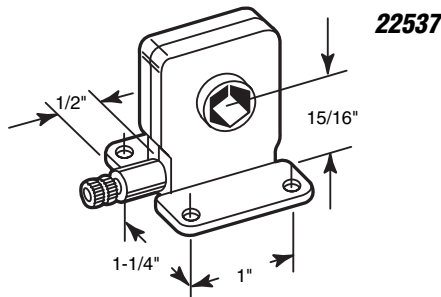
**22568-L** (Left hand)  
**22568-R** (Right hand)

**Torque Operator**

**Contents:** 1 operator; 1 set of installation screws.

**Description:** Diecast operator; used on either awning or louvre windows; side mount.

**Note:** Hand determined from outside of window looking in.

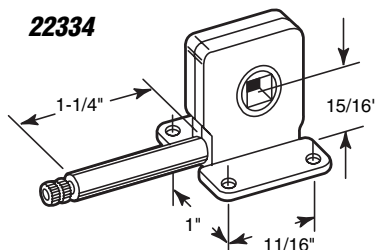


**22537**

**Torque Operator**

**Contents:** 1 operator; 1 set of installation screws.

**Description:** Diecast operator; 3/8" hex socket; center mount; used on either awning or louvre style windows.



**22334**

**Torque Operator**

**Contents:** 1 operator; 1 set of installation screws.

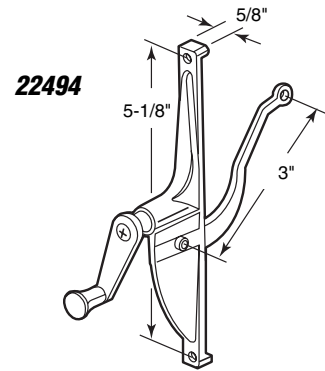
**Description:** Diecast operator; 5/16" square socket; center mount; used on either awning or louvre windows.

## 22494

### Awning Window or Roof Vent Operator

**Contents:** 1 operator; 1 crank handle; 1 set of installation screws.

**Description:** Diecast operator and crank handle; steel arm; zinc-plated; non-handed; used on 6" standard vent windows.



22494

**22711-4** (4" arm length)

**22711-5** (5" arm length)

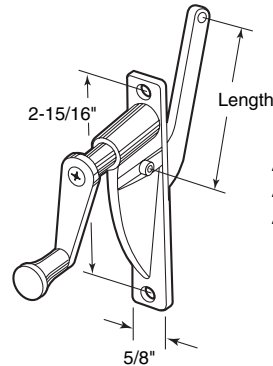
**22711-7** (7-5/8" arm length)

### Awning Window or Roof Vent Operator

**Contents:** 1 operator; 1 crank handle; 1 set of installation screws.

**Description:** Diecast operator and crank handle; zinc-plated; check specific arm length required.

**Note:** 22711-4 requires no. 22533 operator button.



22711-4  
22711-5  
22711-7

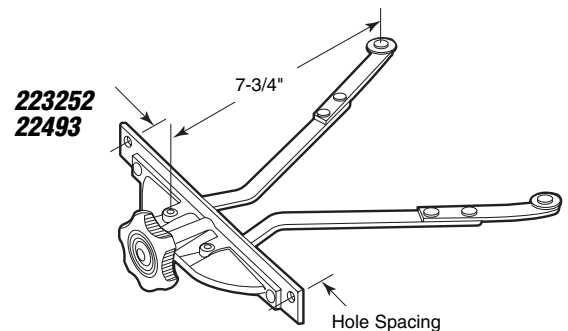
**223252** (5-7/8" hole spacing)

**22493** (4-13/16" hole spacing)

### Sun Roof Vent Operator

**Contents:** 1 operator with extension arms; 1 crank knob; 1 set of installation screws.

**Description:** Diecast operator; steel arms; zinc plated; plastic crank handle; operator housing is available with two different hole spacings.



223252  
22493

**22415** (Left & right - 1 pr./card)

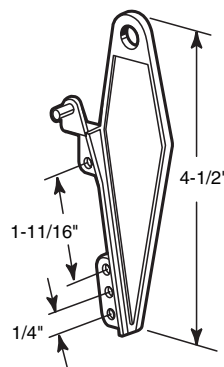
**22415-L** (Left hand - 1/card)

**22415-R** (Right hand - 1/card)

### Pivot Brackets

**Contents:** Brackets.

**Description:** Diecast pivot brackets link the operator moving arm to the louvre window clip arm; adjustable; used on Phillips windows.



22415  
22415-L  
22415-R

Right Hand Shown

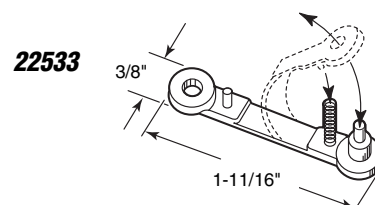
## 22533

### Roof Vent Operator Button

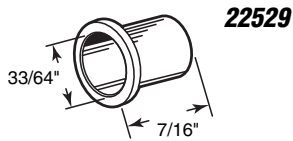
**Contents:** 1 button; 1 spring.

**Description:** Plastic roof vent attachment button; snaps onto end of operator arm and attaching unit; used by Hehr and others.

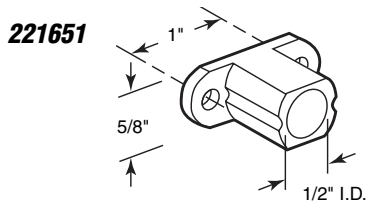
**Note:** Use with no. 22711-4 operator.



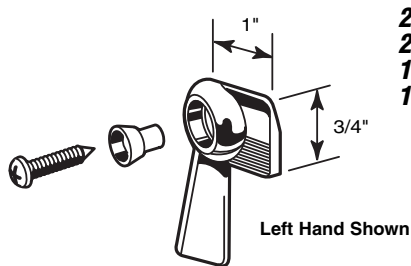
22533



**22529**

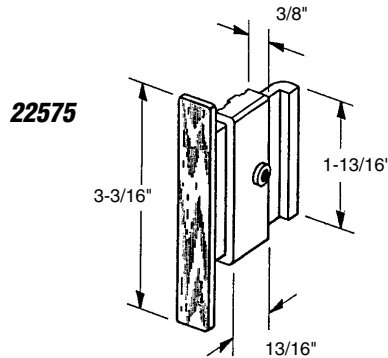


**221651**

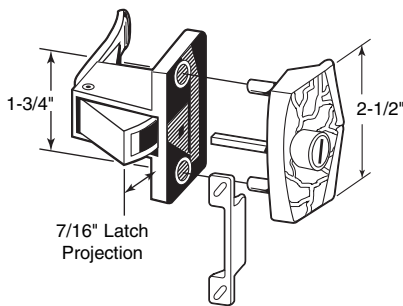


**22535-L**  
**22535-R**  
**172587-L**  
**172587-R**

Left Hand Shown



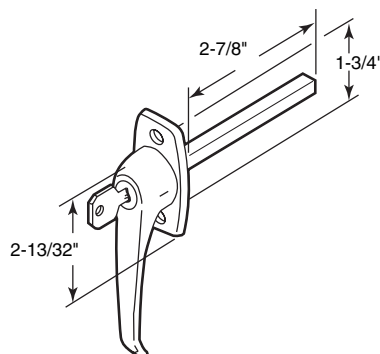
**22575**



**222767**

7/16" Latch Projection

**223461**



**22529**

**Torque Bar Bushing**

**Contents:** 2 bushings.

**Description:** Nylon bushing; accepts a 1/2" drive rod; used in conjunction with a variety of torque operators.

**221651**

**Torque Bar Bushing**

**Contents:** 1 bushing; 1 set of installation screws.

**Description:** Nylon bushing; accepts a 1/2" drive rod; used in conjunction with a variety of torque operators.

**22535-L** (Left hand - chrome finish - 1 per card)

**22535-R** (Right hand - chrome finish - 1 per card)

**172587-L** (Left hand - black finish - 2 per card)

**172587-R** (Right hand - black finish - 2 per card)

**Sliding Window Sash Lock**

**Contents:** 1(2) lock; 1(2) bushing; 1(2) installation screw.

**Description:** Diecast lock; nylon bushing; no keeper required; lock engages fixed rail of window to hold vent shut.

**22575**

**Sliding Window Latch and Pull**

**Contents:** 1 latch assembly.

**Description:** White nylon with wood grain feature strip; spring loaded; self-latching; used on *Phillips* RV windows.

**222767** (Antique brass finish)

**Privacy Latch**

**Contents:** 1 inside latch and pull; 1 outside pull; 1 pushbutton spindle; 1 strike, 1 set of installation screws.

**Description:** Diecast assembly; plastic pushbutton; interior lock button for privacy; use screwdriver in exterior pushbutton to override; fits 1/2" to 1" thick interior RV doors.

**223461** (Chrome finish)

**Locking Handle** (Non-handed)

**Contents:** 1 locking handle; 2 keys; 1 set of installation screws.

**Description:** Diecast construction; 1-3/4" hole centers; 5/16" square spindle; hardened steel shaft; 90° rotation.

You may wish to stock these related parts: **22329**, **22328**, **22531**.

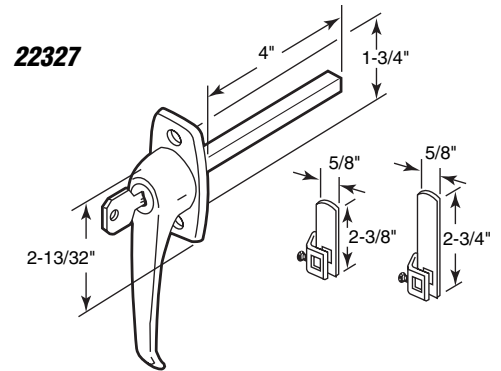
**22327** (Non-handed)

## Locking Handle (Chrome finish)

**Contents:** 1 locking handle; 2 keys; 2 cam locks; 1 set of installation screws.

**Description:** Diecast construction; **1-3/4" hole centers**; 5/16" square spindle; hardened **steel** shaft; used as a compartment lock and handle.

You may wish to stock these related parts: **22531**.



**223253** (Chrome finish - 2-7/8" spindle length)

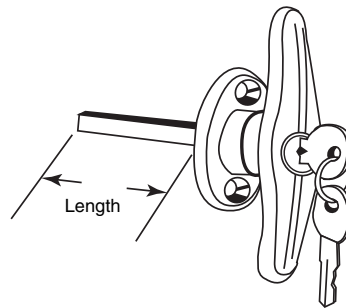
**223463** (Black finish - 2" spindle length)

## Locking Handle

**Contents:** 1 locking handle; 2 keys; 1 set of installation screws.

**Description:** Diecast construction; 5/16" square spindle; hardened **steel** shaft; **1-1/2" hole centers**; used as a compartment lock and handle.

You may wish to stock these related parts: **22329**, **22328**, **22531**.



**223253**  
**223463**

**22329** (2-3/8" latch length)

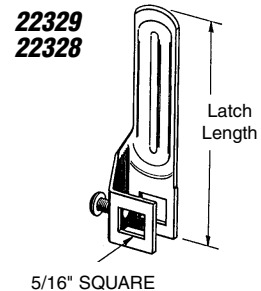
**22328** (2-3/4" latch length)

## Cam Lock

**Contents:** 1 cam lock with set screws.

**Description:** **Zinc plated steel**; accepts a 5/16" square spindle.

You may wish to stock these related parts: **223461**, **223253**.



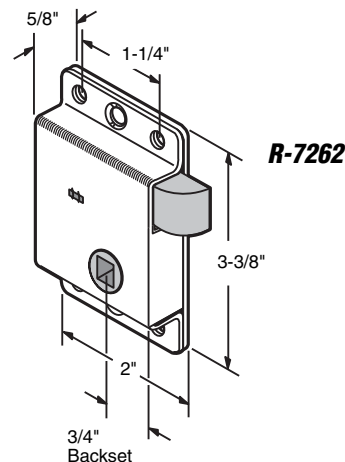
**R-7262**

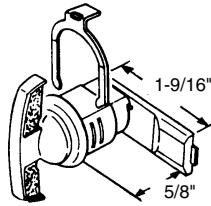
## Latch Assembly

**Contents:** 1 latch.

**Description:** **Stamped steel** housing; **diecast** latch parts; surface mount; **zinc plated**; surface mounted interior latching mechanism for cabinet or compartment doors.

You may wish to stock these related parts: **223461**, **223253**, **22329**, **22328**.





**223260**

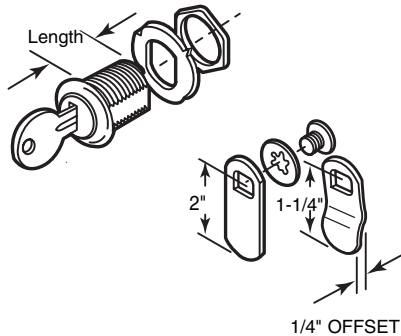
**223260**

**Compartment Latch**

**Contents:** 1 latch assembly; 1 holding clip.

**Description:** Diecast thumbturn and latch assembly; spring steel clip; zinc plated; requires a 3/4" hole for installation.

**22946  
22947  
22409**



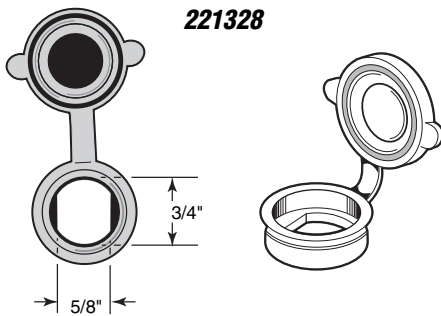
- 22946** (5/8" cylinder length)
- 22947** (7/8" cylinder length)
- 22409** (1-1/8" cylinder length)

**Cylinder Lock - Keyed**

**Contents:** 1 lock cylinder; 2 keys; 1 flush cam; 1 offset cam; 1 set of installation hardware.

**Description:** Zinc plated steel and diecast components; cylinder requires a 3/4" hole for installation; frequently used to secure RV compartments and tool cabinets.

You may wish to stock these related parts: **221328**.



**221328**

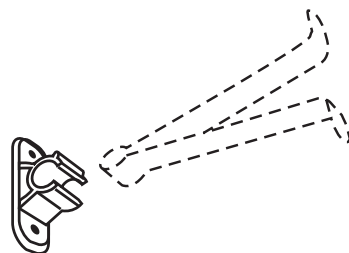
**221328**

**Cylinder Lock Dust Cover**

**Contents:** 2 lock covers.

**Description:** Black flexible rubber; prevents dust and dirt particles from entering key cylinder locks; extends lock life and reduces replacement costs; accommodates 3/4" diameter face plates.

**223276**



**223276**

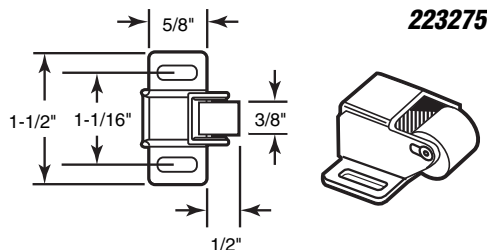
**Screen Door Holder Catch**

*Call for Availability*

**Contents:** 1 door catch; 1 set of installation screws.

**Description:** Nylon catch; used with latching rod shown; holds door in the "open" position.

**Note:** Holder Rod not included.



**223275**

**223275**

**Screen Door Roller Catch**

**Contents:** 1 screen door catch with 2 mounting screws.

**Description:** Zinc plated steel roller housing; spring loaded, gray vinyl roller; mounts to handle side of aluminum screen door, holds door in "closed" position.

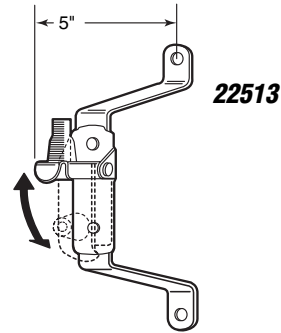
**22513** (5" projection)

## Door Holder

*Call for Availability*

**Contents:** 1 holder assembly with **rubber** bumper.

**Description:** **Cadmium plated steel**; spring loaded catch arm; holds door open when engaged into strike (in the up position); catch arm serves as a door bumper (in the down position).



**22512** (2" projection)

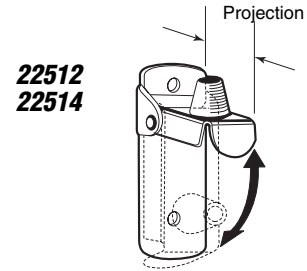
**22514** (6" projection)

## Door Holder

*Call for Availability*

**Contents:** 1 holder assembly with **rubber** bumper.

**Description:** **Cadmium plated steel**; spring loaded catch arm; holds door open when engaged into strike (in the up position); catch arm serves as a door bumper (in the down position).



**22515**

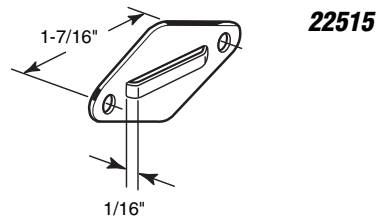
## Door Holder Catch

*Call for Availability*

**Contents:** 1 catch plate.

**Description:** **Cadmium plated steel**; mounts on door to accept door holder and holds door in the "open" position.

You may wish to stock these related parts: **22513**, **22512**, **22514**.

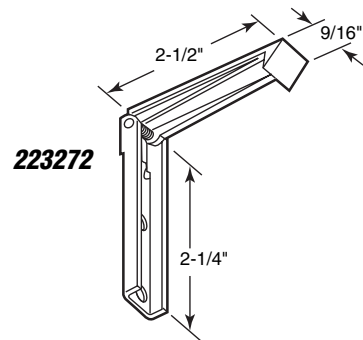


**223272**

## Compartment Door Catch

**Contents:** 1 door catch with mounting screws.

**Description:** **Zinc plated steel** holds door in "open" position; used on cabinet and lift-up compartment doors.



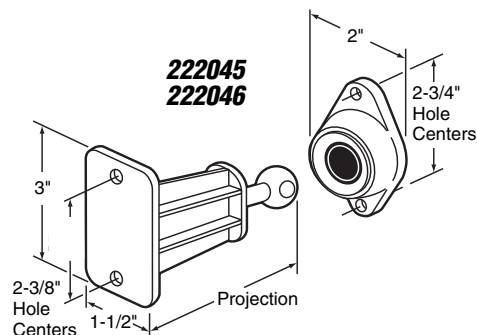
**222045** (3" arm projection)

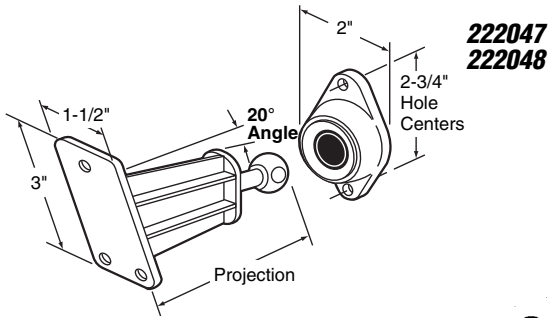
**222046** (4-3/4" arm projection)

## Door Holder Rod and Retainer (Colonial white)

**Contents:** 1 rod; 1 retainer with **rubber** insert.

**Description:** **Heavy-duty plastic** construction; **straight arm rod**; retainer accepts holder rod to secure door in the "open" position.



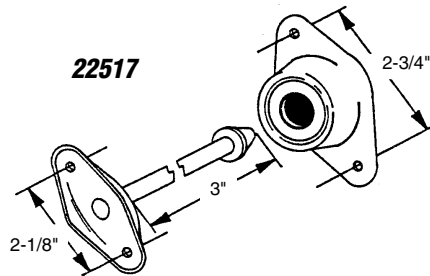


**222047** (3" arm projection)  
**222048** (4-3/4" arm projection)

**Door Holder Rod and Retainer** (Colonial white)

**Contents:** 1 rod; 1 retainer with rubber insert.

**Description:** Heavy-duty plastic construction; angled arm rod; retainer accepts holder rod to secure door in the "open" position.

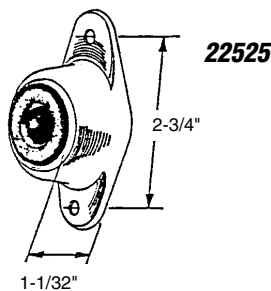


**22517**  
**Door Holder Rod and Retainer**

**Contents:** 1 rod; 1 retainer with rubber insert.

**Description:** Cadmium plated steel rod and retainer housing; rubber retainer secures door in the "open" position.

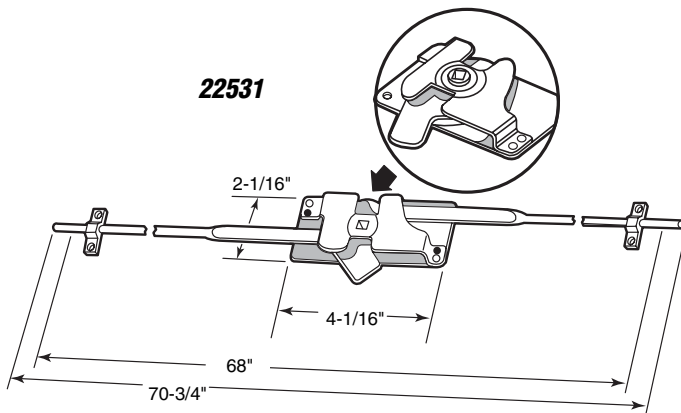
You may wish to stock these related parts: **22525**.



**22525**  
**Door Holder Rod Retainer**

**Contents:** 1 retainer.

**Description:** Cadmium plated steel housing; rubber insert.

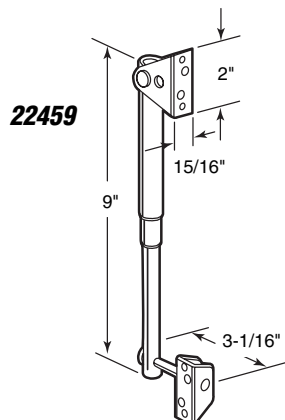


**22531**  
**Camper Door 3-Point Lock**

**Contents:** 1 lock assembly with extension rods; 2 guide brackets; 1 set of installation screws.

**Description:** 3 point deadlock assembly; zinc plated steel construction; lock arms extend to 70-3/4".

You may wish to stock these related parts: **223461, 223253**.



**22459**  
**Camper Door Spring Prop**

**Contents:** 1 prop with brackets; 1 set of installation screws.

**Description:** Plated steel spring cartridge and brackets; adjustable; heavy duty construction; 34 lbs. lift capacity.

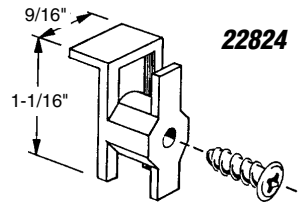
## 22824

### Sliding Door Guides

**Contents:** 2 guides; 2 no. 10 x 1/2" Phillips pan head sheet metal screws.

**Description:** White plastic sliding door guides for use on Arrow storage buildings manufactured prior to 1977.

You may wish to stock these related parts: **22825, 22826.**



## 22825

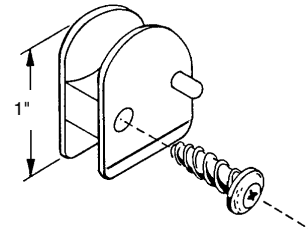
### Sliding Door Guides

**Contents:** 4 guides; 4 no. 10 x 1/2" Phillips pan head sheet metal screws.

**Description:** Brown plastic sliding door guides for use on Arrow storage buildings manufactured after 1976.

You may wish to stock these related parts: **22824, 22826.**

## 22825



## 22826

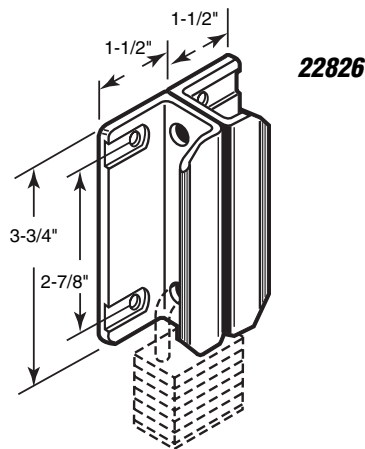
### Sliding Door Handle

**Contents:** 2 handles; 4 no. 10-24 x 1/2" carriage bolts; 4 no. 10-24 hex nuts; 4 lock washers.

**Description:** Heavy duty black nylon handles; tamper-proof screws; used to secure pairs of sliding doors on storage buildings.

**Note:** Lock not included.

You may wish to stock these related parts: **22824, 22825.**



**22511** (Single door set)  
**22511-D** (Double door set)

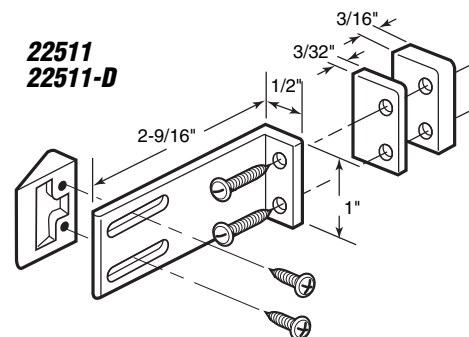
*Call for Availability*

### Refrigerator Door Latch

**Contents:** 1 set contains- 1 mounting bracket; 1 stop wedge; 4 spacers; 1 set of installation screws.

**Description:** Durable off-white plastic components; adjustable; positive latching action eliminates the need for other latching devices.

## 22511 22511-D

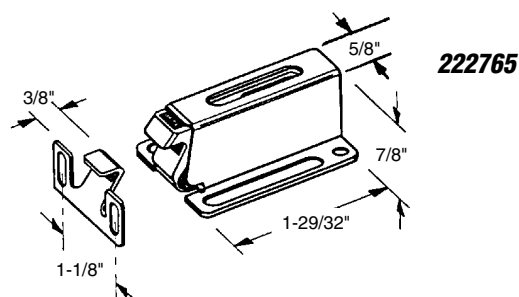


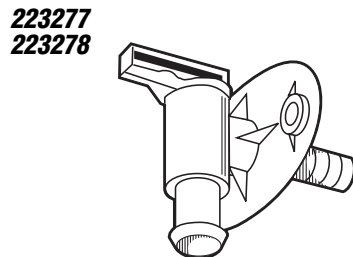
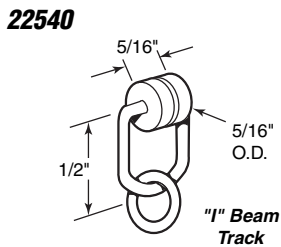
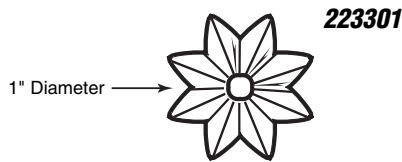
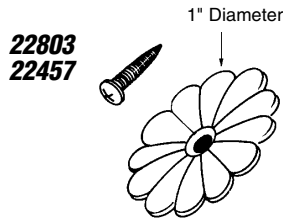
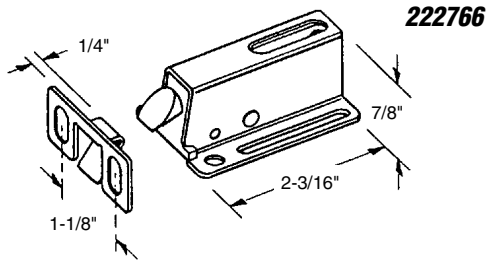
**222765** (Brown finish)

### Cabinet Door Catch

**Contents:** 1 catch; 1 keeper; 1 set of installation screws.

**Description:** Steel housing and keeper; nylon catch; positive latching action; frequently used on mobile home cabinets; latch retracts by pulling outside knob.





**222766** (Brown finish)

**Cabinet Door Catch**

**Contents:** 1 catch; 1 keeper; 1 set of installation screws.

**Description:** Steel housing and keeper; nylon catch; positive latching action; frequently used on mobile home cabinets; latch retracts by pulling outside knob.

**22803** (Carded)

**22457** (Bulk)

**Ceiling and Wall Board Rosettes** (White)

**Contents:** Carded- 5 rosettes; 5 no. 6 x 1-1/4" Phillips oval head sheet metal screws.

**Bulk-** 100 rosettes only.

**Description:** Nylon; petal design; used to secure ceiling panels or wall board in mobile homes.

**223301** (Clear)

**Mirror Rosettes**

**Contents:** 6 rosettes; 6 no. 6 x 1-1/4" Phillips oval head sheet metal screws.

**Description:** Acrylic; star design; used to secure mirror to wall in mobile homes.

**22540**

**Drapery Carrier**

**Contents:** 10 carriers.

**Description:** RV drapery carriers designed for "I" beam track; nylon rollers, steel hangers; attaches curtain securely to track.

**223277** (1/2" tube fitting)

**223278** (3/8" tube fitting)

**Drain Valve**

**Contents:** 1 drain valve.

**Description:** Durable white plastic construction; used to drain built-in water tank.

**R-7198** (White)

**R-7199** (Brown)

## Skirting Vents

**Contents:** 50 vents per carton.

**Description:** Durable plastic construction; designed for installation on mobile home skirting; facilitates ventilation.

## R-7171

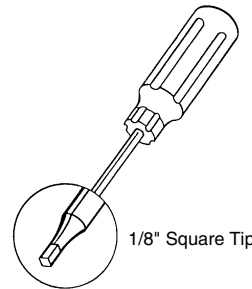
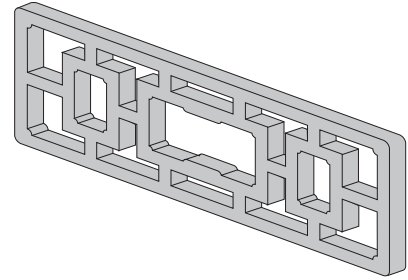
### Square Tip Screwdriver

**Contents:** 1 screwdriver.

**Description:** Zinc plated steel shank; nylon handle, for use on RV accessories which utilize 1/8" square recess fasteners.

*Drawer and cabinet hardware located in the following section, is used in both RV/mobile home and residential applications.*

**R-7198**  
**R-7199**



**R-7171**

1/8" Square Tip

