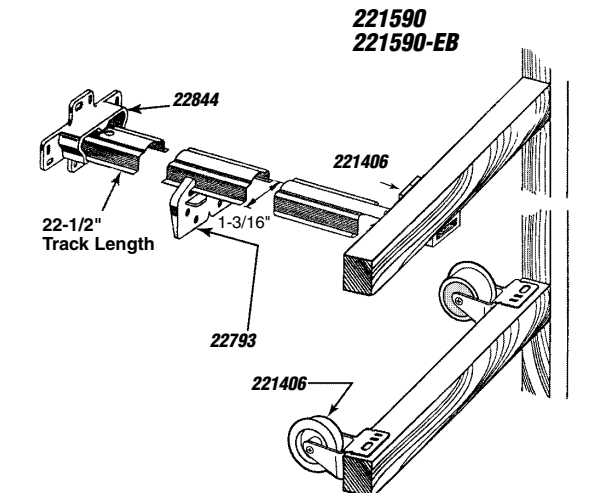


*The following pages offer
a comprehensive selection of:*

Drawer and Cabinet HARDWARE



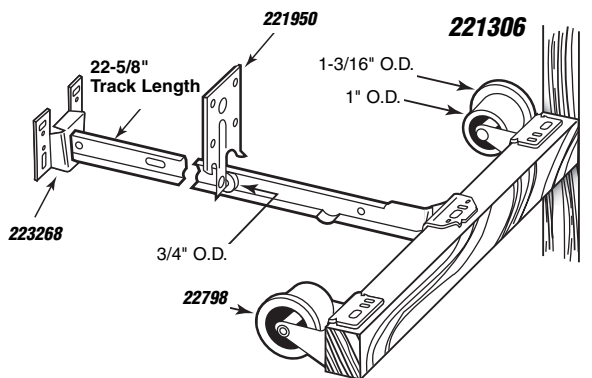
**221590
221590-EB** (30 per display box)

Roller Edge Drawer Track Kit

Contents: 1 track; 1 front plate; 1 back plate; 1 drawer guide; 2 front rollers; 1 set of installation fasteners.

Description: Rolled edge **galvanized steel** track; **polyethylene** guides; **nylon** front rollers; components designed for superior strength and smooth operation; may be used for top or bottom mount installations.

Note: 22-1/2" long track may be cut down to fit shorter drawer applications.



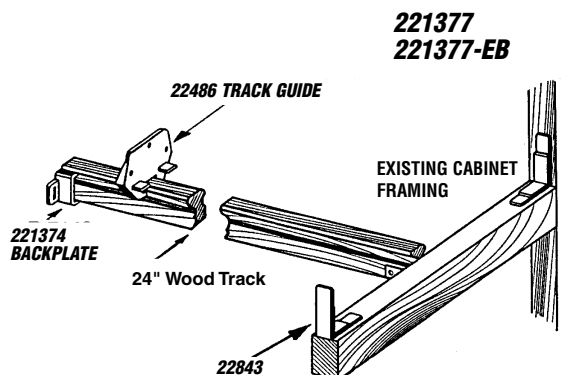
221306

Monorail Drawer Track Kit

Contents: 1 track; 1 roller guide; 1 rear mount bracket; 1 left hand roller; 1 right hand roller; 1 set of installation fasteners.

Description: **Galvanized steel** track and rear support bracket; **nylon** rollers; 75 lb. test rated; requires 1-1/4" clearance for installation; may be top or bottom mounted.

Note: 22-5/8" long track may be cut down to fit shorter drawer applications.



**221377
221377-EB** (30 per display box)

Wood Drawer Track Kit

Contents: 1 wood track; 1 drawer guide; 1 back plate; 2 "L" angles; 2 side saddles; 1 set of installation fasteners.

Description: **Wood** track; **polyethylene** guides and side saddles; **steel** angle brackets support front end of track; designed to replace most wood track systems; may be used for top or bottom mount installations; restores smooth operation to track mounted drawers.

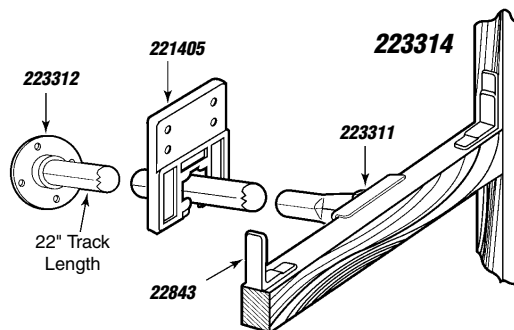
Note: 24" long track may be cut down to fit shorter drawer applications.

223314

Tubular Drawer Track Kit

Contents: 1 track; 1 front plate; 1 back plate; 1 drawer guide; 2 side saddles; 1 set of installation hardware.

Description: White powder coated cylindrical track; white polyethylene guide and side saddles; plastic support brackets; stop notch prevents drawer from being accidentally pulled out.



223296 (16" Length)

223297 (18" Length)

223298 (20" Length)

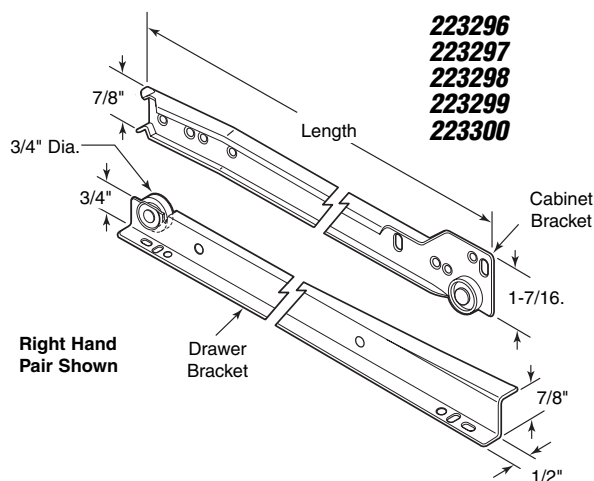
223299 (22" Length)

223300 (24" Length)

Drawer Slide Kit

Contents: 1 left hand pair; 1 right hand pair; 1 set of installation hardware.

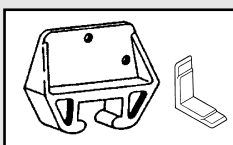
Description: Powder coated steel tracks with nylon rollers; positive stop in closed position; double stop in extended position locks drawer open; self-closing 2-1/2" from end; rollers are captive on one side to reduce side play; drawer lifts out for easy removal.



22486 (Carded)

CCSC-7156 (100 bulk)

CCBP-7156 (50 bulk)



Drawer Track Guide Kit

Contents: Carded- 1 guide; 2 side saddles; 1 set of installation fasteners.

Bulk- Guides only in display box.

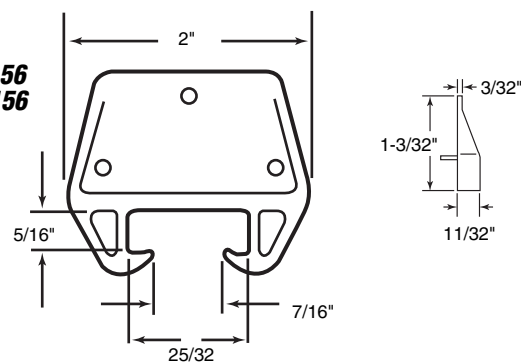
Description: Red polyethylene guide and white polyethylene side saddles; restores smooth operation of track mounted drawers.

Note: Fits a 9/32" x 3/4" track.

22486

CCSC-7156

CCBP-7156



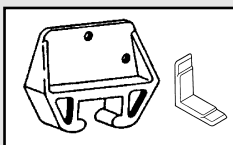
222019

Drawer Track Guide Kit

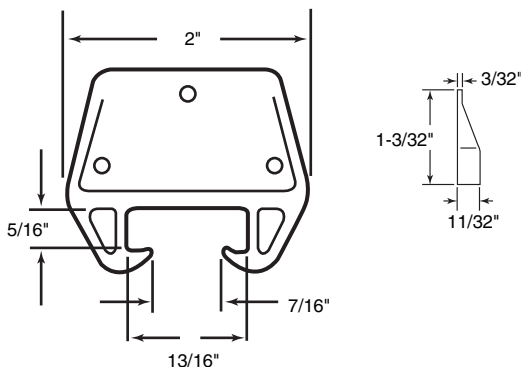
Contents: Carded- 1 guide; 2 side saddles; 1 set of installation fasteners.

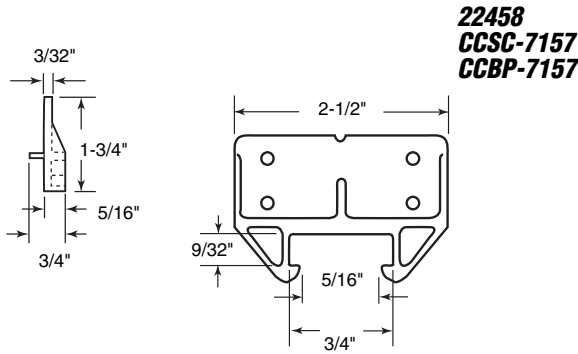
Description: White polyethylene guide with no back alignment tabs; white polyethylene side saddles; restores smooth operation of track mounted drawers.

Note: Fits a 9/32" x 3/4" track.

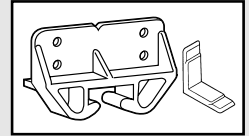


222019





22458 (Carded)
CCSC-7157 (100 bulk)
CCBP-7157 (50 bulk)



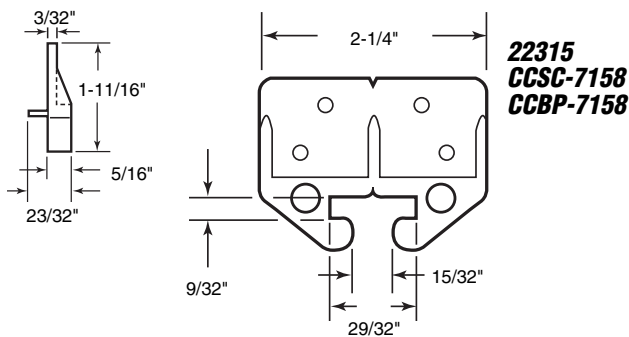
Drawer Track Guide Kit

Contents: Carded- 1 guide; 2 side saddles; 1 set of installation fasteners.

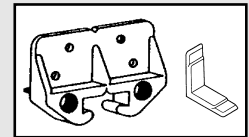
Bulk- Guides only in display box.

Description: Blue polyethylene guide and white polyethylene side saddles; restores smooth operation of track mounted drawers.

Note: Fits a 1/4" x 3/4" track.



22315 (Carded)
CCSC-7158 (100 bulk)
CCBP-7158 (50 bulk)



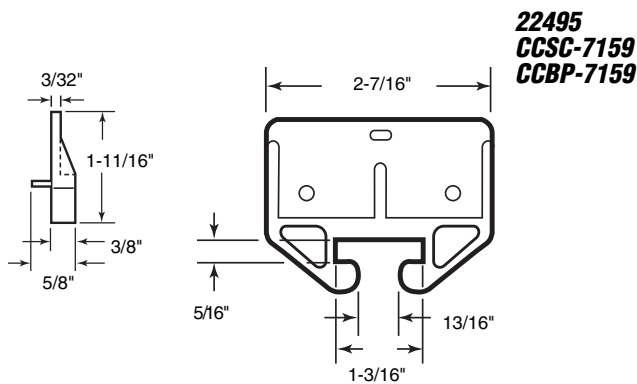
Drawer Track Guide Kit

Contents: Carded- 1 guide; 2 side saddles; 1 set of installation fasteners.

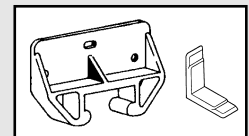
Bulk- Guides only in display box.

Description: Brown polyethylene guide and white polyethylene side saddles; restores smooth operation of track mounted drawers.

Note: Fits a 1/4" x 7/8" track.



22495 (Carded)
CCSC-7159 (100 bulk)
CCBP-7159 (50 bulk)



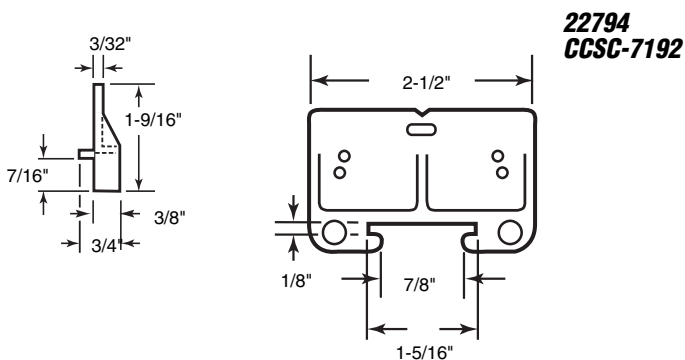
Drawer Track Guide Kit

Contents: Carded- 1 guide; 2 side saddles; 1 set of installation fasteners.

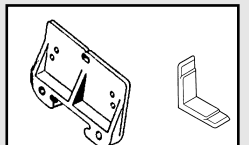
Bulk- Guides only in display box.

Description: Green polyethylene guide and white polyethylene side saddles; restores smooth operation of track mounted drawers.

Note: Fits a 9/32" x 1-1/8" track.



22794 (Carded)
CCSC-7192 (100 bulk)



Drawer Track Guide Kit

Contents: Carded - 1 guide; 2 side saddles; 1 set of installation fasteners.

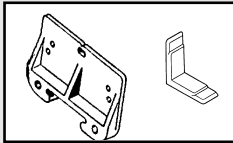
Bulk - Guides only in display box.

Description: White polyethylene guide and white polyethylene side saddles; restores smooth operation of track mounted drawers.

Note: Fits a 3/32" x 1-1/4" track.

Drawer and Cabinet Hardware

22793 (Carded)
CCSC-7168 (100 bulk)
CCBP-7168 (50 bulk)



Drawer Track Guide Kit

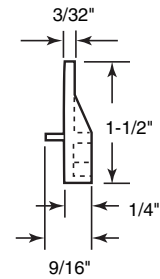
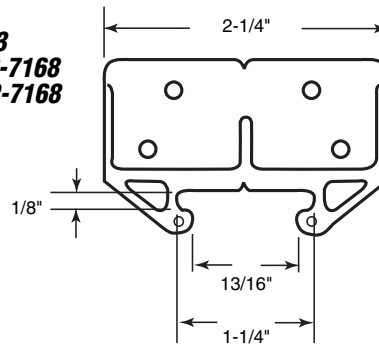
Contents: Carded - 1 guide; 2 side saddles; 1 set of installation fasteners.

Bulk - Guides only in display box.

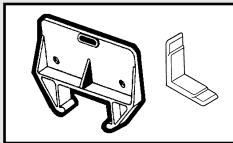
Description: White polyethylene guide and white polyethylene side saddles; restores smooth operation of track mounted drawers.

Note: Fits a 3/32" x 1-3/16" track.

22793
CCSC-7168
CCBP-7168



221904 (Carded)
CCSC-7161 (100 bulk)
CCBP-7161 (50 bulk)



Drawer Track Guide Kit

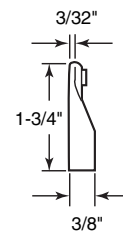
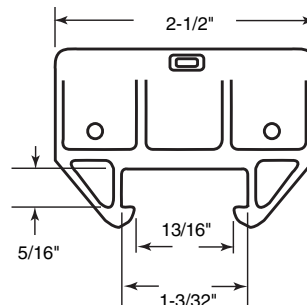
Contents: Carded - 1 guide; 2 side saddles; 1 set of installation fasteners.

Bulk - Guides only in display box.

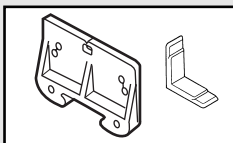
Description: Orange polyethylene guide and white polyethylene side saddles; restores smooth operation of track mounted drawers.

Note: Fits a 9/32" x 1-1/8" track.

221904
CCSC-7161
CCBP-7161



22625 (Carded)
CCSC-7162 (100 bulk)
CCBP-7162 (50 bulk)



Drawer Track Guide Kit

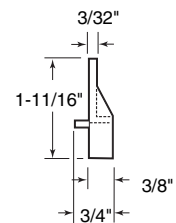
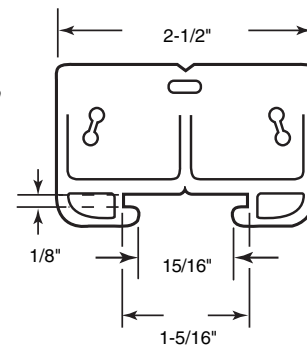
Contents: Carded - 1 guide; 2 side saddles; 1 set of installation fasteners.

Bulk - Guides only in display box.

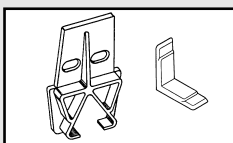
Description: White polyethylene guide and white polyethylene side saddles; restores smooth operation of track mounted drawers.

Note: Fits a 3/32" x 1-9/32" track.

22625
CCSC-7162
CCBP-7162



221889 (Carded)
CCSC-7170 (100 bulk)



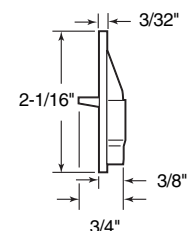
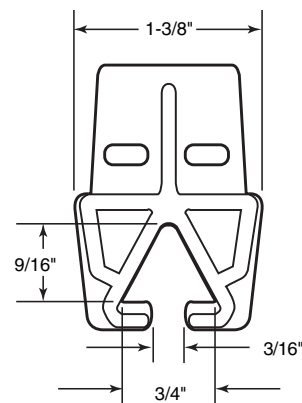
Drawer Track Guide Kit

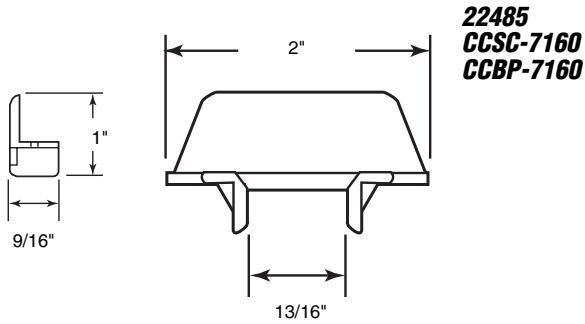
Contents: Carded - 1 guide; 2 side saddles; 1 set of installation fasteners.

Bulk - Guides only in display box.

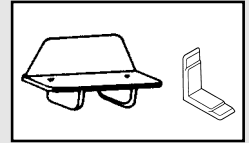
Description: White polyethylene guide and white polyethylene side saddles; restores smooth operation of track mounted drawers; frequently used on RV's and mobile homes.

221889
CCSC-7170





22485 (Carded)
CCSC-7160 (100 bulk)
CCBP-7160 (50 bulk)



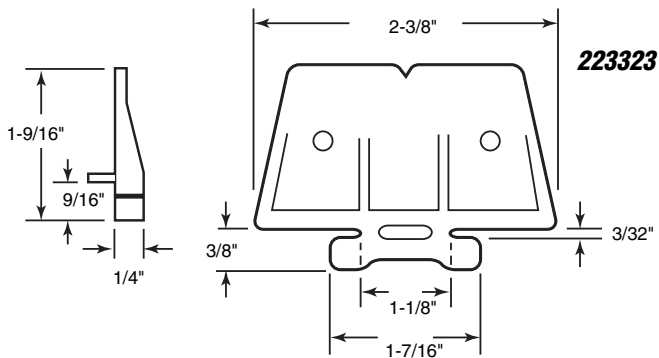
Drawer Track Guide Kit

Contents: Carded - 1 guide; 2 side saddles; 1 set of installation fasteners.

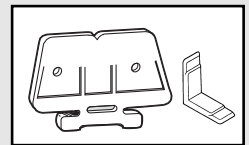
Bulk - Guides only in display box.

Description: White polyethylene guide and white polyethylene side saddles; restores smooth operation of track mounted drawers.

Note: Fits a 13/16" wide track.



223323

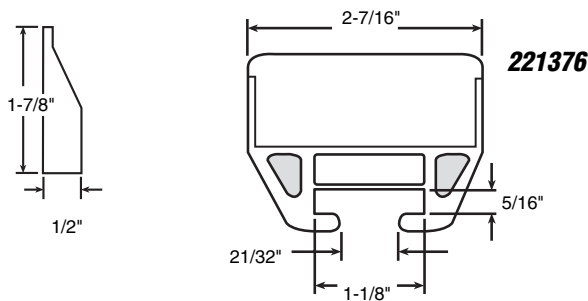


Drawer Track Guide Kit

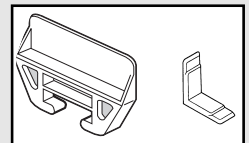
Contents: 1 guide; 2 side saddles; 1 set of installation fasteners.

Description: White polyethylene guide and white polyethylene side saddles; restores smooth operation of track mounted drawers.

Note: Fits a 1-1/2" track opening.



221376

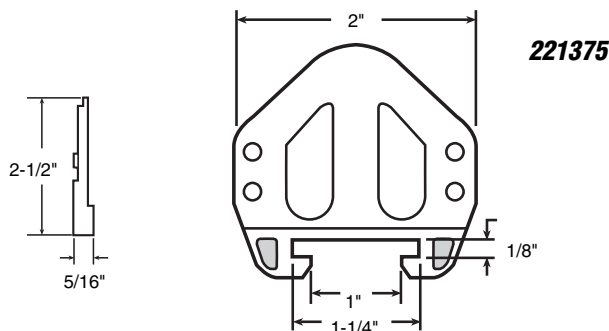


Drawer Track Guide Kit

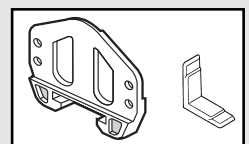
Contents: 1 guide; 2 side saddles; 1 set of installation fasteners.

Description: White polyethylene guide and white polyethylene side saddles; restores smooth operation of track mounted drawers.

Note: Fits a 9/32" x 1-3/32" wide track.



221375



Drawer Track Guide Kit

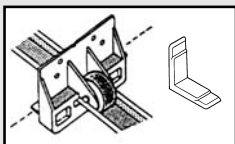
Contents: 1 guide; 2 side saddles; 1 set of installation fasteners.

Description: White polyethylene guide and white polyethylene side saddles; restores smooth operation of track mounted drawers.

Note: Fits a 3/32" x 1-7/32" wide track.

221519

Drawer Track Guide Kit

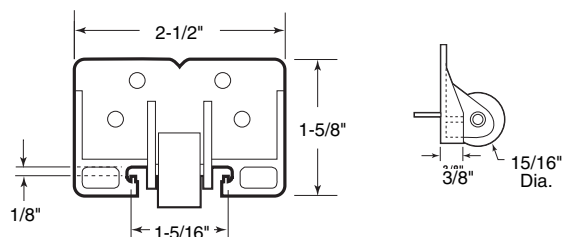


Contents: 1 roller assembly; 2 side saddles; 1 set of installation fasteners.

Description: White polyethylene guide with nylon roller; designed for use with rolled edge steel tracks.

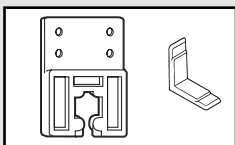
Note: Fits a 3/32" x 1-9/32" track.

221519



221405

Drawer Track Guide Kit



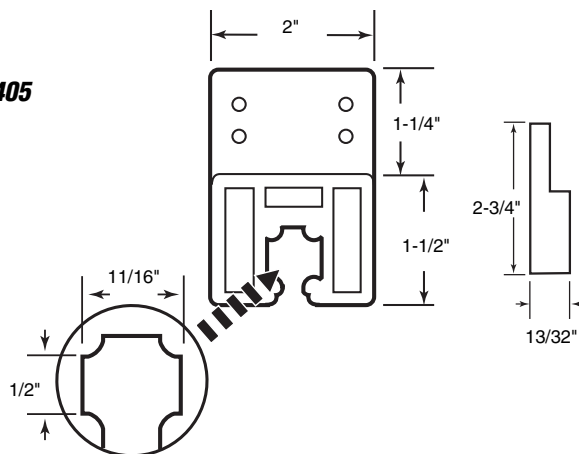
Contents: 1 guide; 2 side saddles; 1 set of installation fasteners.

Description: White polyethylene guide with polyethylene side saddles; restores smooth operation of track mounted drawers.

Note: Fits a 5/8" diameter track.

You may wish to stock these related parts: **223311**, **223312**, **223314**.

221405



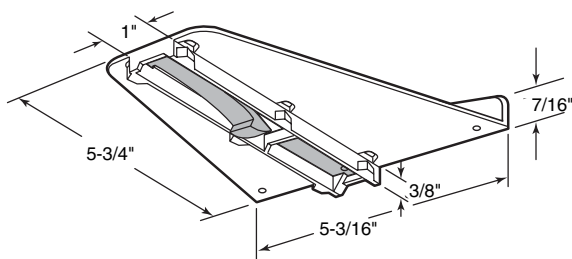
223319

Drawer Track Guide

Contents: 1 guide.

Description: White polyethylene; large bearing area for heavily loaded drawers; 6 point contact reduces lateral movement of drawer.

223319



223270 (Carded)

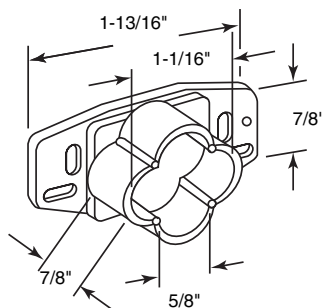
CCSC-7195 (100 bulk)

CCBP-7195 (50 bulk)

Drawer Track Back Plate

Contents: Carded - 1 backplate; 1 set of installation screws.
Bulk - Backplates only in display box.

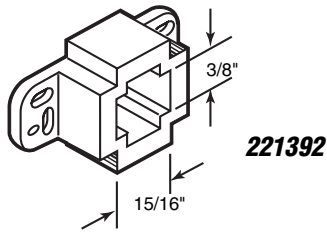
Description: Polyethylene backplate can be mounted either horizontally or vertically; new style; used with Amerock tri-roller drawer slide track.



223270

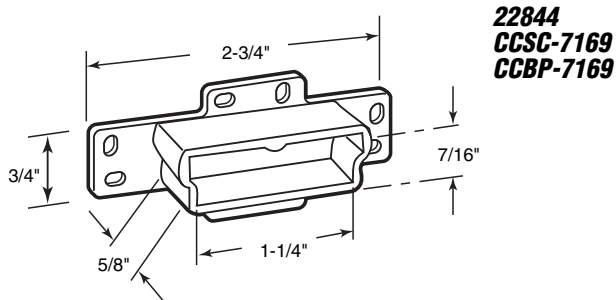
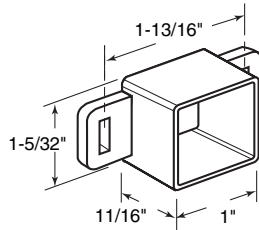
CCSC-7195

CCBP-7195



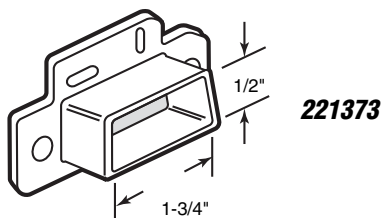
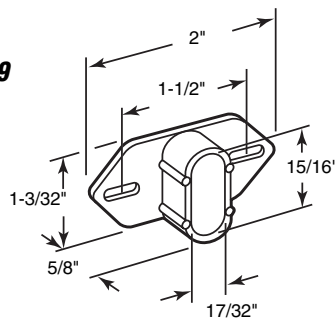
221392

221374
CCSC-7163
CCBP-7163



22844
CCSC-7169
CCBP-7169

221379



221373

221392

Drawer Track Back Plate

Contents: 1 backplate with installation screws.

Description: Polyethylene backplate can be mounted either horizontally or vertically; **old style**; used with **Amerock tri-roller drawer slide track**.

221374 (Carded)
CCSC-7163 (100 bulk)
CCBP-7163 (50 bulk)

Drawer Track Back Plate

Contents: Carded - 1 backplate; 1 set of installation screws.

Bulk - Backplates only in display box.

Description: Polyethylene; 1" square cavity allows self-alignment of center mounted drawer tracks.

22844 (Carded)
CCSC-7169 (100 bulk)
CCBP-7169 (50 bulk)

Drawer Track Back Plate

Contents: Carded-1 backplate; 1 set of installation screws.

Bulk- Backplates only in display box.

Description: White polyethylene backplates can be inverted for self-adjusting application; for use on rolled edge and other center mounted tracks.

You may wish to stock these related parts: **221590, 221406, 22793.**

221379

Drawer Track Back Plate

Contents: 1 backplate; 1 set of installation screws.

Description: White polyethylene; for use on standard "C" shaped and other center mounted tracks.

You may wish to stock these related parts: **223268, 221950, 223285.**

221373

Drawer Track Back Plate

Contents: 1 backplate; 1 set of installation screws.

Description: White polyethylene; for use on center mounted drawer tracks.

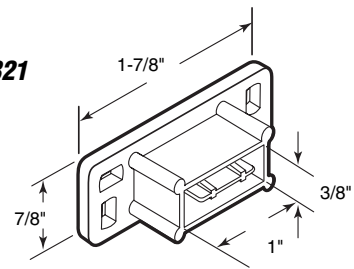
223321

Drawer Track Back Plate

Contents: 1 backplate; 1 set of installation screws.

Description: White polyethylene; for use on center mounted drawer tracks.

223321



223285

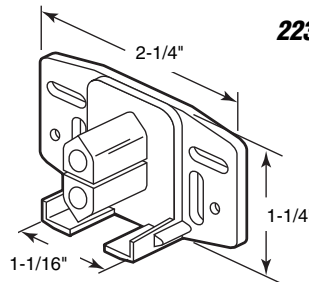
Drawer Track Back Plate

Contents: 1 backplate; 1 set of installation screws.

Description: White polyethylene; used on "C" style center mounted tracks.

You may wish to stock these related parts: **223268, 221950, 221379.**

223285



223268

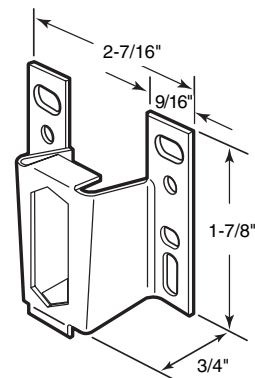
Drawer Track Back Plate

Contents: 1 backplate; 1 set of installation screws.

Description: Galvanized steel; used on monorail "C" style drawer tracks.

You may wish to stock these related parts: **221950, 221379, 22798.**

223268



223312

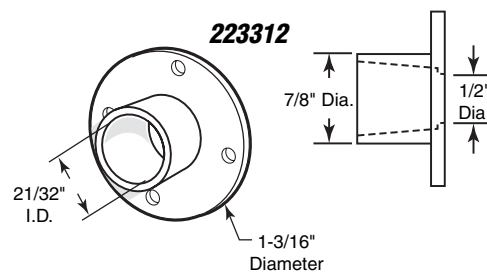
Drawer Track Back Plate

Contents: 1 backplate; 1 set of installation screws.

Description: Polyethylene; used with 5/8" cylindrical style center mounted drawer tracks.

You may wish to stock these related parts: **223311, 221405, 223314.**

223312



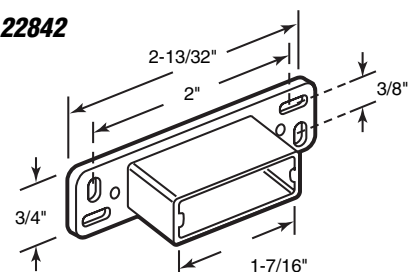
22842

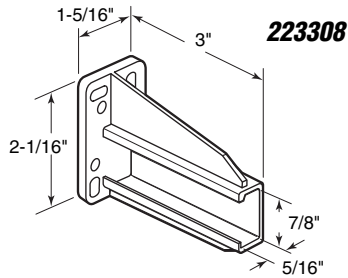
Drawer Track Back Plate

Contents: 1 backplate; 1 set of installation screws.

Description: White polyethylene; reversible left or right; fits several side mounted drawer tracks.

22842





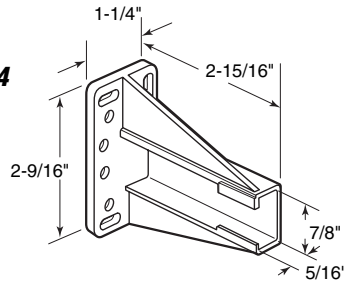
223308

Drawer Track Back Plate

Contents: 1 left hand bracket; 1 right hand bracket; 2 sets of installation screws.

Description: White nylon; used on **side mounted** drawer track systems.

221694



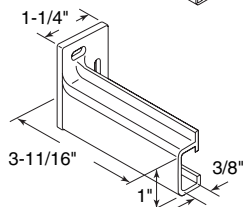
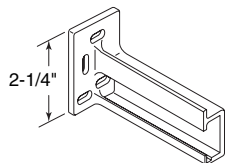
221694

Drawer Track Back Plate

Contents: 1 left hand bracket; 1 right hand bracket; 2 sets of installation screws.

Description: White nylon; 2-3/4" socket depth allows 2" of front to back adjustment of the rail; used on **side mounted** drawer track systems.

Note: Right side has a larger lip.



223322

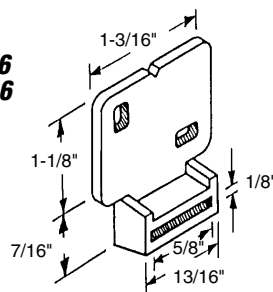
223322

Drawer Track Back Plate

Contents: 1 left hand bracket; 1 right hand bracket; 2 sets of installation screws.

Description: White nylon; socket depth allows for front to back adjustment of the rail; used on **side mounted** drawer track systems. **Note:** Old style (2-3/16" depth) replaced by deeper 3-11/16" by manufacturer.

221406 CCSC-7216 CCBP-7216



221406 (1 per card)

CCSC-7216 (100 bulk)

CCBP-7216 (50 bulk)

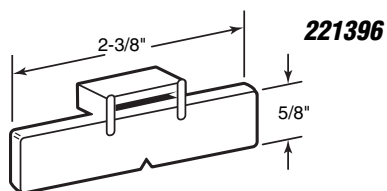
Drawer Track Front Plate

Contents: Carded- Front plate(s) with installation screws.

Bulk- Front plates only in display box.

Description: White nylon; supports front-end of drawer track; used on **rolled edge metal tracks** as shown in 221590.

You may wish to stock these related parts: 22793, 22844.



221396

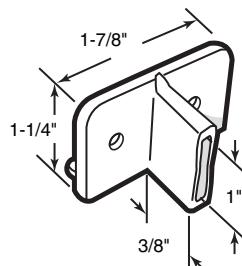
221396

Drawer Track Front Plate

Contents: 1 front plates; 1 sets of installation screws.

Description: White nylon; supports front end of drawer track; designed for use on tracks with flat front tab.

223311



223311

Drawer Track Front Plate

Contents: 1 front plate; 1 set of installation screws.

Description: White nylon; supports front end of drawer track.

You may wish to stock these related parts: 223312, 221405, 223314.

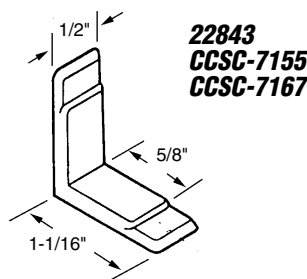
Drawer and Cabinet Hardware

22843 (Carded)
CCSC-7155 (Bulk)
CCSC-7167 (Poly-bagged)

Drawer Guide Side Saddles

Contents: **Carded:** 10 side saddles; 20 fasteners
Bulk: 500 side saddles only in display box.
Poly-bagged: 100 bags of 10 side saddles per bag in a display box.

Description: **White polyethylene** side saddles help to center drawer and restore smooth operation of track mounted drawers.

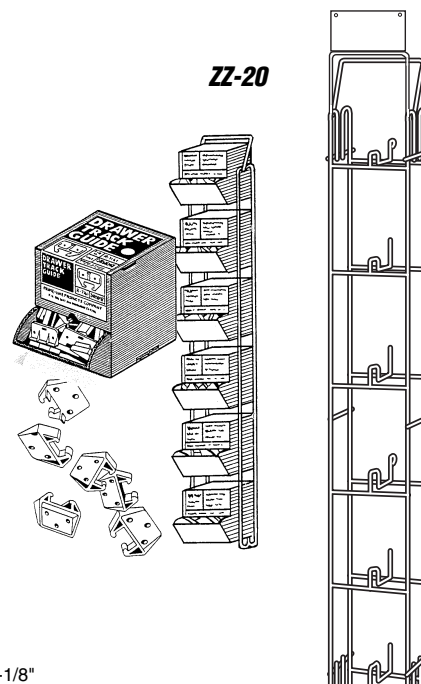


ZZ-20 Display Rack (Only)

Contents: 1 rack.

Description: **Plated steel** wire rack; used to display bulk guides in self-dispensing boxes; rack will accommodate (6) different products. Rack may be mounted to peg board or steel uprights; (pallet rack merchandising).

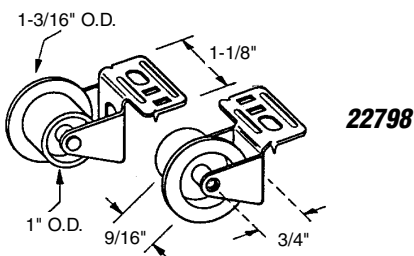
*Call for
 Availability*



22798 Drawer Guide Roller Assembly

Contents: 1 left hand roller; 1 right hand roller; 1 set of installation fasteners.

Description: **Adjustable steel** mounting bracket with **nylon** roller; provides alignment and superior glide action for track mounted drawers.

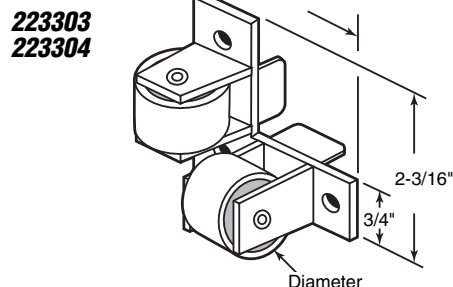


223303 (15/16" diameter rollers)
223304 (5/8" diameter rollers)

Drawer Guide Roller Assembly

Contents: 2 roller assemblies; 2 sets of installation screws.

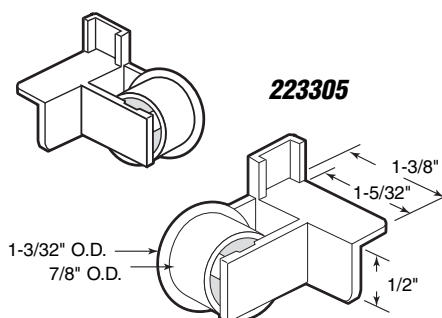
Description: **White nylon** bracket and roller; side roller helps prevent drag; bottom roller allows drawer to slide easily.

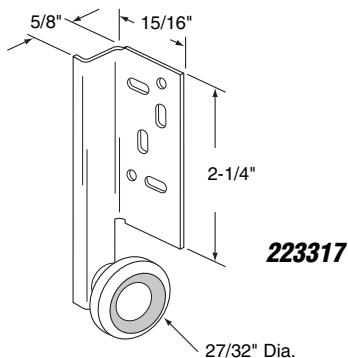
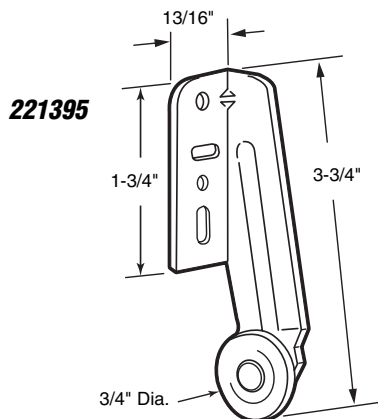
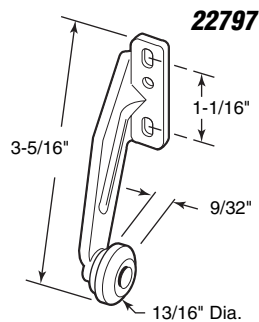
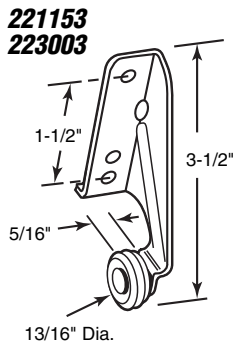
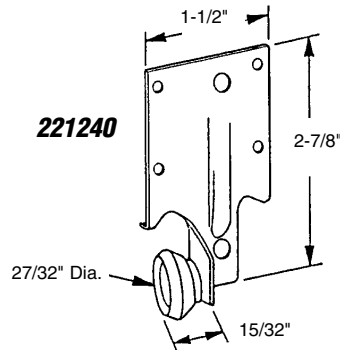
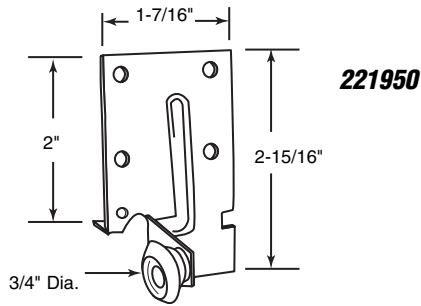


223305 Drawer Guide Roller Assembly

Contents: 1 left hand bracket; 1 right hand bracket; 1 set of installation fasteners.

Description: **White nylon** bracket and roller; helps to align and restore smooth operation of track mounted drawers.





221950

Drawer Track Roller

Contents: 1 roller assembly; 1 set of installation screws.

Description: Steel bracket; convex nylon roller; mounts on rear of drawer; used on "old style" *Grace* drawer slide system.

221240

Drawer Track Roller

Contents: 1 roller assembly; 1 set of installation screws.

Description: Steel bracket; convex nylon roller; mounts on rear of drawer; used as center roller for monorail drawer slide systems.

221153 (1 Roller - left hand)
223003 (2 Rollers - left hand)
22797 (1 Roller - right hand)

Drawer Track Roller

Contents: Roller assembly; installation screws.

Description: Steel bracket; convex nylon roller; mounts on rear of drawer; used as center roller for monorail drawer slide systems.

Note: Hand determined as viewed from rear of drawer.

221395

Drawer Track Roller

Contents: 1 roller assembly; 1 set of installation screws.

Description: Steel bracket; convex nylon roller; mounts on rear of drawer; used as center roller for monorail drawer slide systems.

223317

Drawer Track Roller

Contents: 1 roller assembly; 1 set of installation screws.

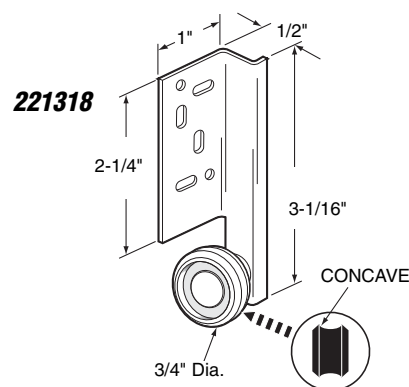
Description: Steel bracket; nylon roller; mounts on rear of drawer; used as center roller for monorail drawer slide systems.

221318

Drawer Track Roller

Contents: 1 roller assembly; 1 set of installation screws.

Description: Steel bracket; **concave nylon** roller; mounts on rear of drawer; used as center roller for monorail drawer slide systems.



221318

CCEP-7203 (Brass finish)

CCEP-7134 (Antique brass finish)

CCEP-7204 (Chrome finish)

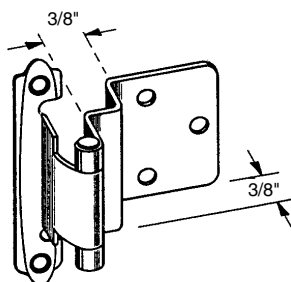
CCEP-7205 (White finish)

Cabinet Door Hinge (Self-closing)

Contents: 1 pair of hinges; 2 felt pads; 2 sets of installation screws.

Description: Semi-concealed **steel** hinge; spring loaded; used on **3/8 inch** inset cabinet doors.

Standard pack: 15 pairs (polybagged) in display box.



**CCEP-7203
CCEP-7134
CCEP-7204
CCEP-7205**

CCEP-7200 (Brass finish)

CCEP-7135 (Antique brass finish)

CCEP-7201 (Chrome finish)

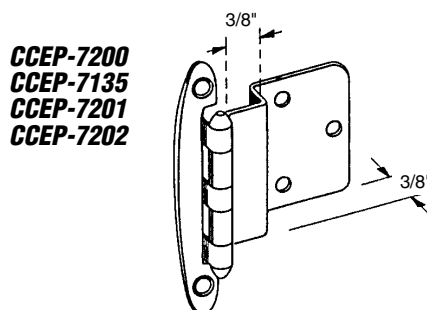
CCEP-7202 (White finish)

Cabinet Door Hinge (Non-self closing)

Contents: 1 pair of hinges; 2 felt pads; 2 sets of installation screws.

Description: Semi-concealed **steel** hinge; used on **3/8 inch** inset cabinet doors.

Standard pack: 20 pairs (polybagged) in display box.



**CCEP-7200
CCEP-7135
CCEP-7201
CCEP-7202**

CCEP-7206 (Brass finish)

CCEP-7136 (Antique brass finish)

CCEP-7207 (Chrome finish)

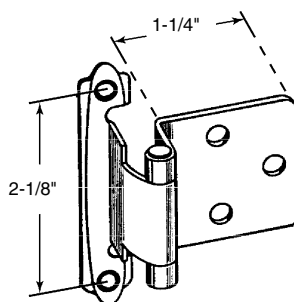
CCEP-7208 (White finish)

Cabinet Door Hinge (Self closing)

Contents: 1 pair of hinges; 2 felt pads; 2 sets of installation screws.

Description: Semi-concealed **steel** hinge; spring loaded; used on **overlay** cabinet doors.

Standard pack: 15 pairs (polybagged) in display box.



**CCEP-7206
CCEP-7136
CCEP-7207
CCEP-7208**

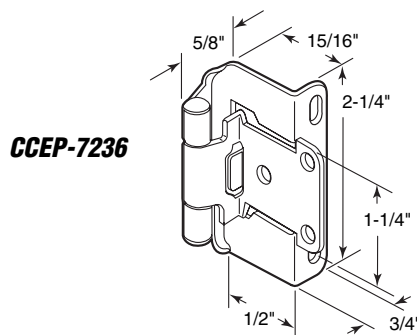
CCEP-7236 (Antique brass finish)

Cabinet Door Hinge (Self-closing)

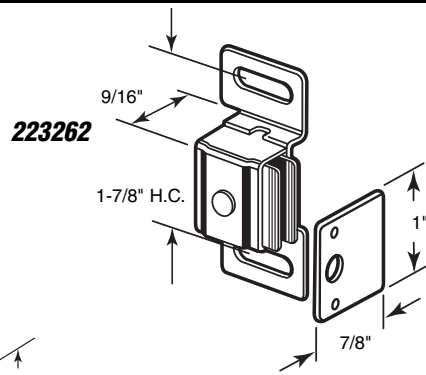
Contents: 1 pair of hinges; 2 felt pads; 2 sets of installation screws.

Description: Semi-concealed **steel** hinge; spring loaded; wrap around design; **vertically adjustable**; used on **overlay** doors.

Standard pack: 20 pairs (polybagged) in display box.



CCEP-7236



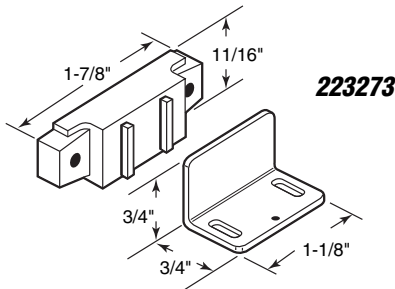
223262

223262

Magnetic Catch

Contents: 2 catches; 2 strike plates; 2 sets of installation screws.

Description: Zinc plated adjustable steel housing; steel strike plate; large magnet for extra holding power.



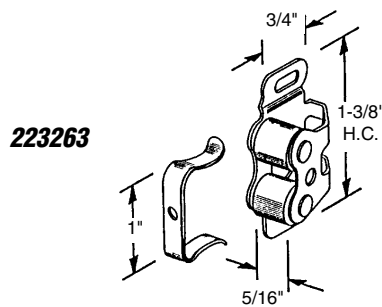
223273

223273

Magnetic Catch

Contents: 2 catches; 2 strike plates; 2 sets of installation screws.

Description: Heavy duty brown plastic housing; dual steel inserts; adjustable steel strike plate; frequently used in RV and mobile home cabinets.



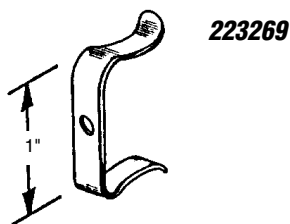
223263

223263

Dual Roller Catch

Contents: 3 catches; 3 clips; 3 sets of installation screws.

Description: Dual nylon rollers; plated steel housing and spring steel clip; used on cabinet, closet and compartment doors.



223269

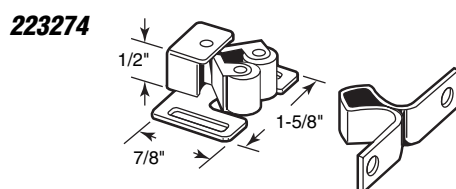
223269

Dual Roller Clip

Contents: 6 clips; 6 installation screws.

Description: Chrome plated spring steel clip.

Note: Replacement clip for Part No. 223263.



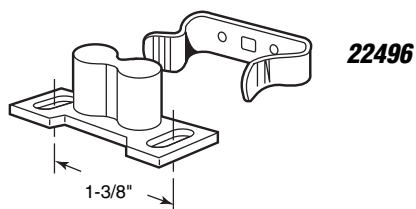
223274

223274 (Bronze finish)

Dual Roller Catch

Contents: 2 catches; 2 keepers; 2 sets of installation screws.

Description: Dual nylon rollers; adjustable steel housing; steel keeper; heavy duty spring loaded latching.



22496

22496

Friction Catch

Contents: 1 catch; 1 clip; 1 set of installation screws.

Description: Double barrel white nylon catch; brass finish spring steel clip; adjustable; used on cabinet and compartment doors.

Call for Availability

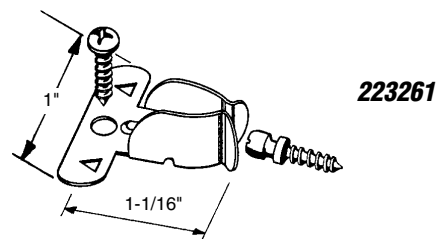
Drawer and Cabinet Hardware

223261

Friction Catch

Contents: 3 catches; 3 ball head screws; 3 installation screws.

Description: Chrome plated spring steel catch; used on cabinet and compartment doors.



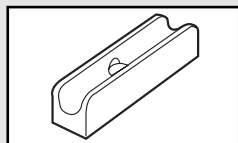
22791 (1/4" wide x 1" long)

22795 (3/8" wide x 1-3/8" long)

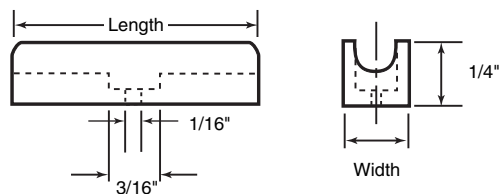
Door Glides

Contents: 2 glides.

Description: Nylon glides install on bottom of sliding cabinet doors; used in conjunction with plastic or wood track.



22791
22795



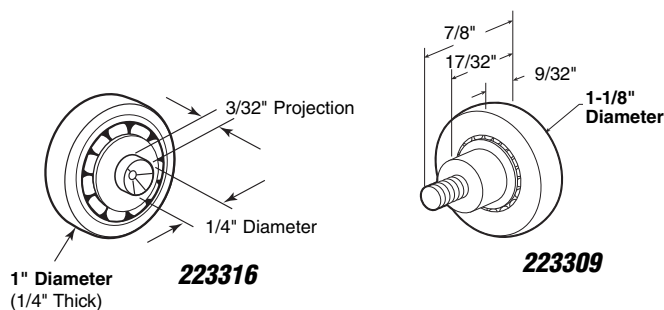
223309 (1/4" - 20 threaded steel axle)

223316 (Rivet style axle)

Drawer Slide Roller

Contents: 2 rollers.

Description: White nylon roller; steel ball bearing roller; replacement roller for metal drawer slide systems; frequently used on file cabinet drawer tracks.

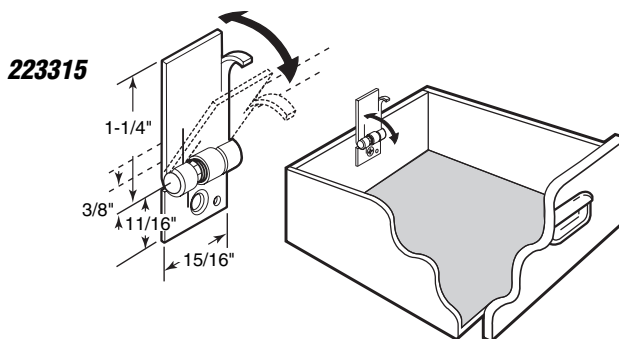


223315

Drawer Stop

Contents: 1 stop with installation screw and nail.

Description: Zinc plated steel hinge; spring loaded; prevents drawer from accidentally falling out of cabinet upon opening.



22411 (Brass finish)

223460 (Dull nickel finish)

Drawer & Cabinet Lock

Contents: 1 lock assembly; 2 keys; 1 set of installation screws.

Description: Diecast housing; keyed locking unit; requires a 7/8" hole for installation.

