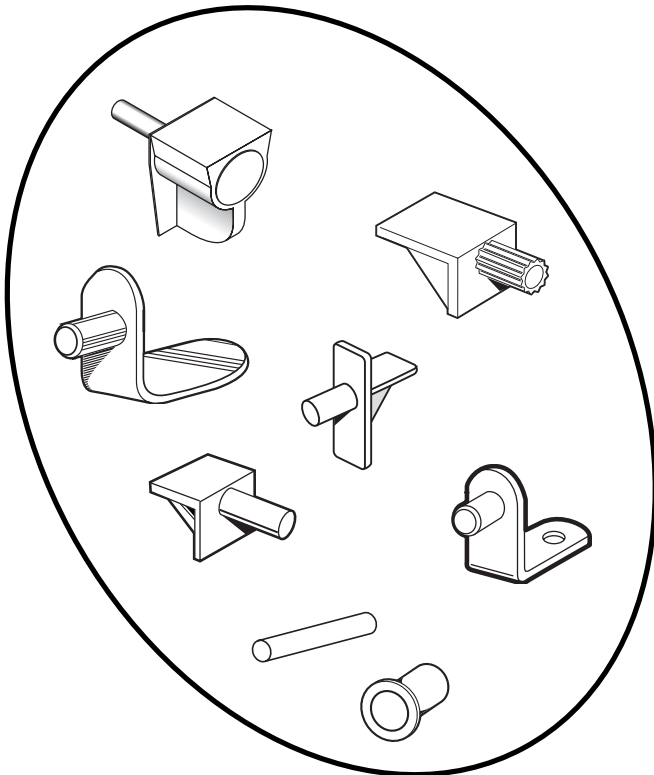


The following pages include a comprehensive selection of shelf peg styles, colors, finishes and peg diameters.



Actual Peg Diameter

- 3 mm (1/8" approx)
- 4 mm (5/32" approx)
- 5 mm (3/16" approx)
- 1/4"
- 7 mm (9/32" approx)

Shelf Support Pegs (Metal)

Contents: 8 pegs.

Peg Diameter	Finish (Part Number)		
	Brass	Nickel	Black
4 mm	243380	243381	---
5 mm	243388	242158	243389
1/4"	241940*	243363*	243396
7 mm	243393	243395	243394

Description: Spoon style support pegs frequently used in stereo and storage cabinets with glass shelving.

*Econo-pack availability: Call for pack quantities.

241942 (Brass finish)*
241965 (Nickel finish)*

Shelf Support Pegs (Metal)

Contents: 8 pegs.

Description: 5mm diameter peg; screw slot allows shelf to be fastened to peg; frequently used for heavily loaded shelves.

*Econo-pack availability: Call for pack quantities.

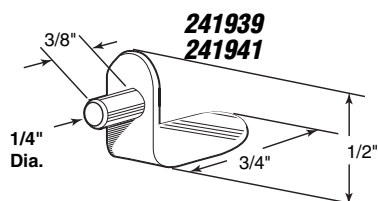
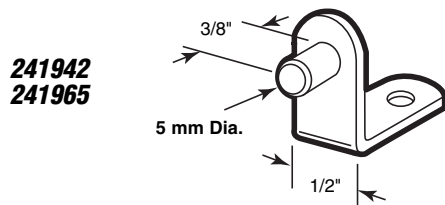
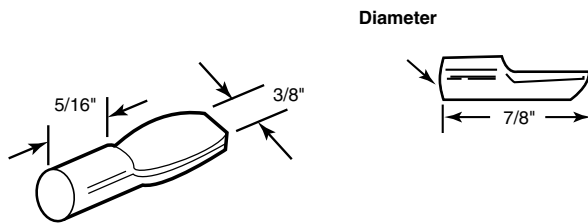
241939 (Brass finish)*
241941 (Nickel finish)*

Shelf Support Peg (Metal)

Contents: 8 pegs.

Description: 1/4" diameter peg; used in stereo and storage cabinets.

*Econo-pack availability: Call for pack quantities.

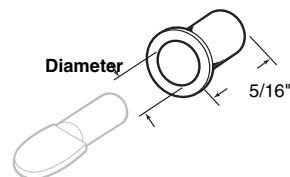


Peg Grommet (Steel)

Contents: 12 pegs.

Peg Diameter	Finish (Part Number)		
	Brass	Black	Nickel
5 mm	243400	243401	243402
1/4"	243397	243398	243399
7 mm	243403	243404	243405

Description: Plated steel grommets provide extra strength to shelf support pegs.



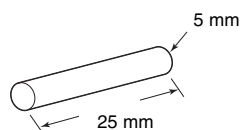
243391 (Brass finish)

243392 (Nickel finish)

Shelf Support Peg (Steel)

Contents: 12 pegs.

Description: Steel support peg; may be used with peg grommets.



243391
243392

243378 (Nickel finish)*

243379 (Brass finish)*

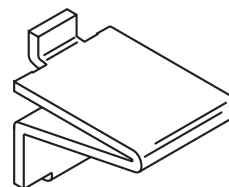
Shelf Bracket (Steel)

Contents: 12 brackets.

Description: Metal brackets fits *Knape & Vogt* and other shelf support systems; designed for use with pilaster style standards.

*Econo-pack availability: Call for pack quantities.

243378
243379

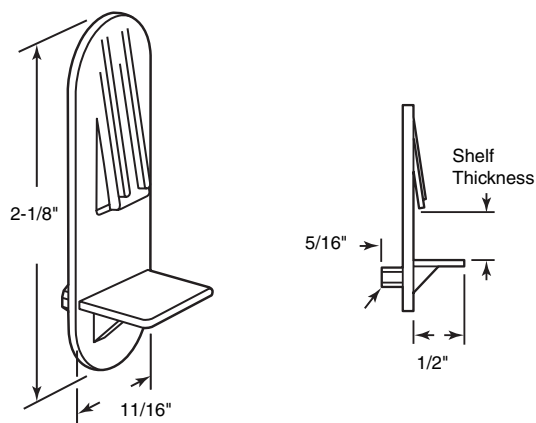


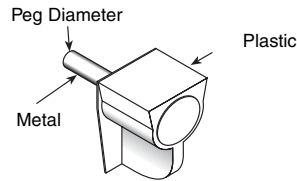
Shelf Support Peg (Plastic)

Contents: 6 pegs.

Peg Diameter	Shelf Thickness	Color	Part No.
5 mm	1/2"	Black	243413
5 mm	1/2"	Clear	243414
5 mm	5/8"	Brown	243417
5 mm	5/8"	Clear	243418
5 mm	3/4"	Brown	243421
5 mm	3/4"	Clear	243422
1/4"	1/2"	Brown	243415
1/4"	1/2"	Clear	243416
1/4"	5/8"	Brown	243419
1/4"	5/8"	Clear	243420
1/4"	3/4"	Brown	243355
1/4"	3/4"	Clear	243423

Description: Self-locking shelf supports hold wood shelving securely in place.





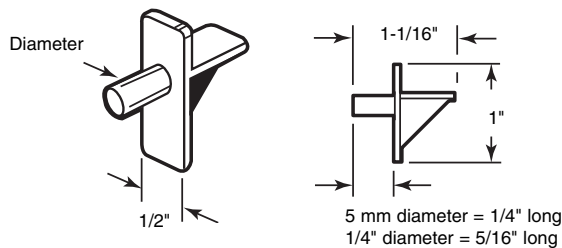
Shelf Support Peg (Plastic with steel peg)

Contents: 8 pegs.

Peg Diameter	Color (Part Number)		
	Clear	Brown	White
3 mm	242159	243382	243383
5 mm	243377*	243373	241943*

Description: Plastic shelf support with steel peg provides added strength.

*Econo-pack availability: Call for pack quantities.



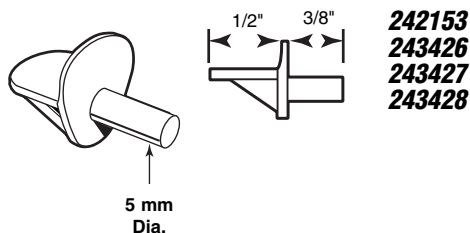
Shelf Support Pegs (Plastic)

Contents: 12 pegs.

Peg Diameter	Color (Part Number)				
	Brown	Clear	White	Almond	Beige
5 mm	243406	243409	243408	243407	---
1/4"	241945*	241946*	242400*	241966*	242157

Description: Plastic construction; used to mount shelving in cabinets and storage compartments.

*Econo-pack availability: Call for pack quantities.

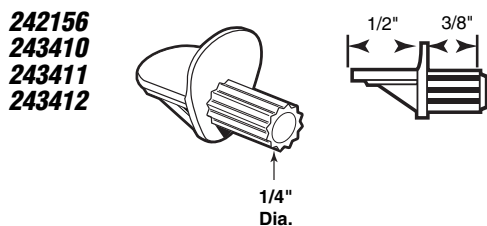


- 242153** (Clear)
- 243426** (Brown)
- 243427** (White)
- 243428** (Almond)

"Mini" Shelf Support Peg (Plastic)

Contents: 12 pegs.

Description: "Mini" style shelf support pegs frequently used in stereo and display cabinets.



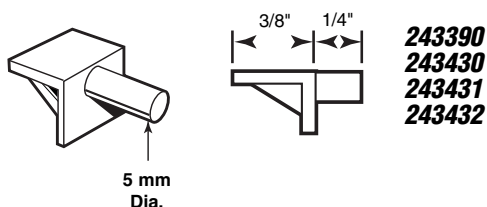
- 242156** (Clear)*
- 243410** (Brown)
- 243411** (Almond)
- 243412** (White)

"Mini" Shelf Support Peg (Plastic)

Contents: 12 pegs.

Description: "Mini" style shelf support pegs frequently used in stereo and display cabinets.

*Econo-pack availability: Call for pack quantities.



- 243390** (White)
- 243430** (Brown)
- 243431** (Clear)
- 243432** (Almond)

"Mini" Shelf Support Peg (Plastic)

Contents: 12 pegs.

Description: "Mini" style shelf support pegs frequently used in stereo and display cabinets.

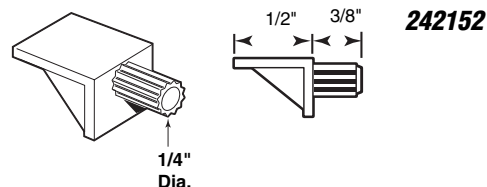
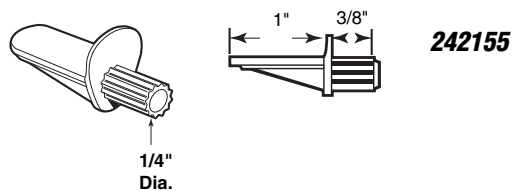
242155
242152*

Shelf Support Pegs (Plastic)

Contents: 12 pegs.

Description: Clear plastic pegs; used to support cabinet shelves.

*Econo-pack availability: Call for pack quantities.



Shelf Peg Hole Plugs

Contents: 48 plugs.

Color (Part Number)

Hole Size	White	Beige	Brown
5 mm	243452	243453	243454
1/4"	243455	243456	243457

Description: Plastic plugs; used to plug 5 mm and 1/4" shelf peg holes in cabinetry, where a finished look is desirable; colors blend with a variety of finishes.



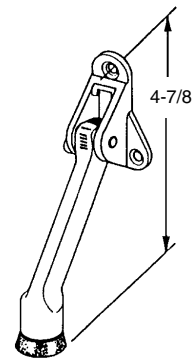
243366 (Brass finish)
243365 (Bronze finish)
243364 (Chrome finish)

Door Holder

Contents: 1 holder; 1 set of installation screws.

Description: Zinc diecast holder with rubber tip; spring loaded to hold in "up" position; good for commercial applications.

243366
243365
243364

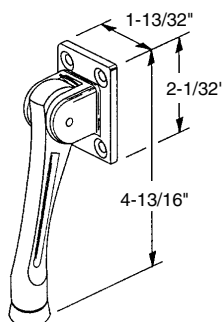


243525 (Brass finish)
243524 (Bronze finish)
243367 (Chrome finish)

Door Holder

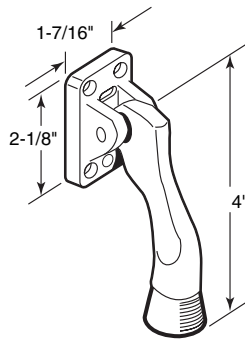
Contents: 1 holder; 1 set of installation screws.

Description: Heavy duty diecast stop with rubber tip; 4 hole mounting; spring loaded; for commercial and residential applications.



243525
243524
243367

242401
242402



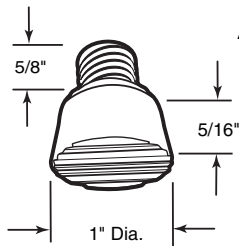
242401 (Aluminum finish)
242402 (Bronze finish)

Door Holder

Contents: 1 holder; 1 set of installation screws.

Description: Heavy **cast iron**; **spring loaded** holder with 4 hole mounting; **rubber tip**; for commercial use.

243368

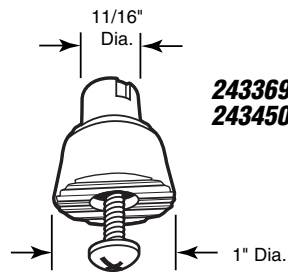


243368 (Black twist-in)
243369 (Black with screw)
243450 (White with screw)

Door Holder Tip

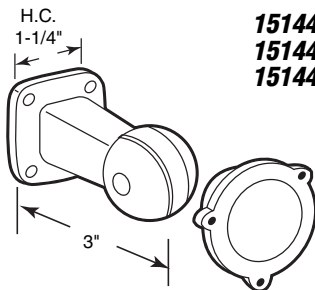
Contents: 2 rubber tips.

Description: Replaces worn out tips on drop down door holders.



243369
243450

151441
151442
151440



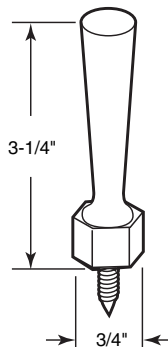
151441 (Ivory)
151442 (Brown)
151440 (White)

Magnetic Door Holder

Contents: 1 holder; 1 retainer; 1 set of installation screws.

Description: **Plastic** housing with **magnetic insert**; may be wall or floor mounted; spring loaded retainer mounts to door.

243361
243362
243371



243361 (Ivory)
243362 (Brown)
243371 (White)

Door Stop

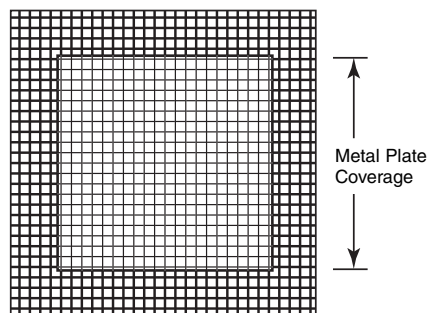
Contents: 3 door stops.

Description: Flexible **vinyl** stop with **steel screw insert**; prevents door handle from hitting wall. This unique one-piece construction is commonly used where children or infants play; proven to be much safer than standard spring actuated stops with plastic tips.

"Patch-It" Drywall Repair

Part no.	Coverage	Contents
U-9313	2" x 2"	1 pc.
U-9282	4" x 4"	1 pc.
U-9283	6" x 6"	1 pc.
U-9284	8" x 8"	1 pc.

Description: Metal plate filler; rust proof; self-adhesive; fiberglass mesh surface improves plaster adhesion; used to repair holes in drywall.

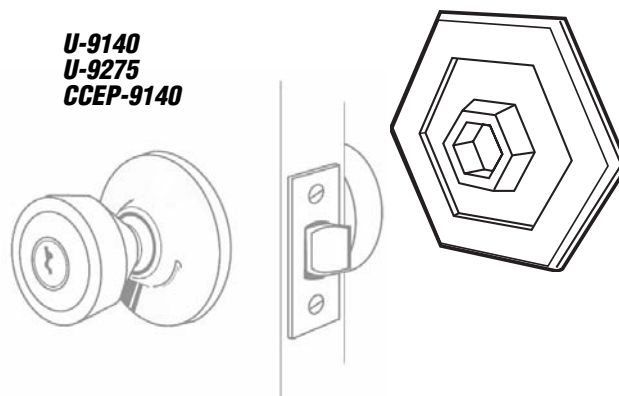


U-9140 (Ivory)
U-9275 (White)
CCEP-9140 (Ivory - bulk: 40 per box)

Wall Protector (5" hexagon)

Contents: 1 shield

Description: Flexible vinyl; self-adhesive; paintable; protects interior walls from impact damage by shielding contact point of wall and door knob; repairs damaged walls.



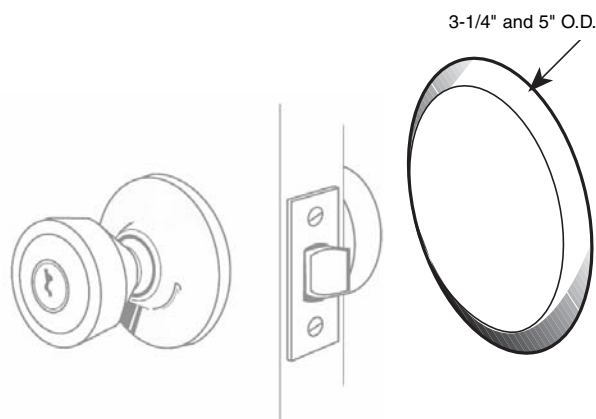
Wall Protector

Contents: 1 shield.

Diameter	Textured Surface		Smooth Surface	
	Ivory	White	Ivory	White
3-1/4"	U-9185*	U-9243	U-9267	U-9270
5"	U-9186*	U-9244	U-9268	U-9271

Description: Rigid vinyl; self adhesive; protects interior walls from impact damage by shielding contact point of wall and door knob; repairs damaged walls.

*Bulk: CCEP-9185 - 100 per box.
 CCEP-9186 - 50 per box.

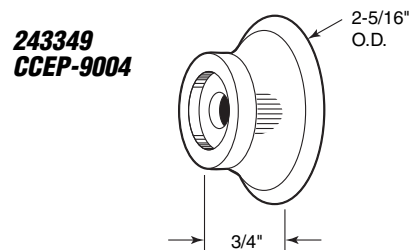


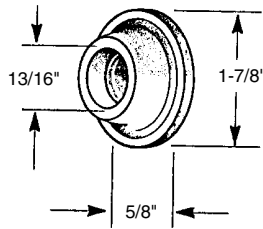
243349 (Clear - carded)
CCEP-9004 (Clear - bulk - 40 per box)

Door Bumper

Contents: 2 door stops; 2 no. 6 x 1-1/4" Phillips pan head sheet metal screws; 2 no. 6 x 1" plastic anchors.

Description: Clear soft vinyl; protects against marred walls; absorbs impact of door knob at contact point with wall; easily detached from wall by removing screw. Clear plastic construction is unassuming and allows paint colors or wall paper design to show through.





243351
243352

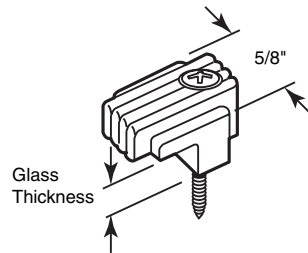
243351 (White)
243352 (Gray)

Door Bumper

Contents: 2 bumpers.

Description: Solid rubber; concave center; self-adhesive; absorbs impact of door knob at contact point with wall.

221501
223018
221502
223019
CCEP-9003
CCSC-9003

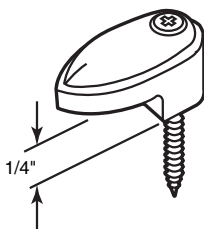


221501 (1/8" glass - 4 per card)
223018 (1/8" glass - 6 per card)
221502 (1/4" glass - 4 per card)
223019 (1/4" glass - 6 per card)
CCEP-9003 (1/4" glass - bulk - 6 per bag - 100 bags/box)
CCSC-9003 (1/4" glass - bulk - 6 per bag - 50 bags/box)

Mirror Clip

Contents: 6 clips; 6 no. 6 x 1-1/4" Phillips flat head sheet metal screws; 6 no. 6 x 1" plastic anchors.

Description: Clear plastic clips fit 1/8" or 1/4" thick mirror glass; conventional design.



243359

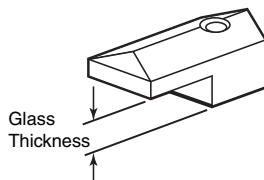
243359 (1/4" glass)

Mirror Clip

Contents: 6 clips; 6 no. 6 x 1-1/4" Phillips flat head sheet metal screws; 6 no. 6 x 1" plastic anchors.

Description: Clear plastic clips fit 1/4" thick mirror glass; decorator design.

243372
243374



243372 (1/8" glass)
243374 (1/4" glass)

Mirror Clip

Contents: 6 clips; 6 no. 6 x 1-1/4" Phillips flat head sheet metal screws; 6 no. 6 x 1" plastic anchors.

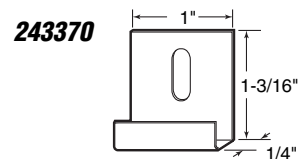
Description: Clear plastic clips fit 1/8" or 1/4" thick mirror glass; contemporary design.

243370 (1/4" glass)

Mirror Hanger

Contents: 6 hangers; 6 installation screws.

Description: Stainless steel hangers; designed to hold mirror securely to wall; use at top and bottom of mirror; slot allows 1/2" of adjustment for ease of installation.

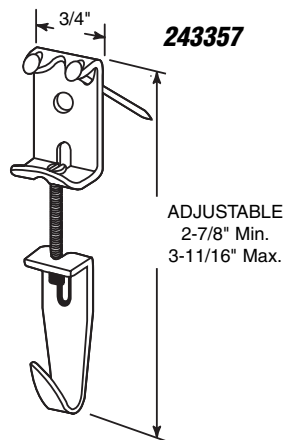


243357

Picture and Mirror Hanger Assembly

Contents: 2 hangers; 4 nails.

Description: Heavy duty steel hanger assembly consists of 1 fixed bracket and 1 adjustable bracket; allows 1" of vertical adjustment.

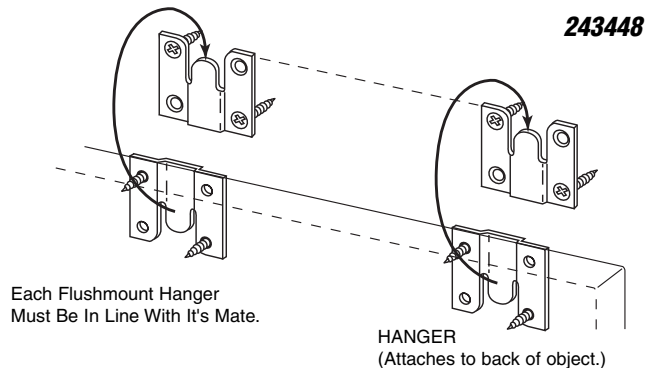


243448

Picture and Mirror Hanger Assembly

Contents: 2 sets; 2 sets of installation screws.

Description: Steel hangers designed for flush mount applications; each pair consists of one wall bracket and one frame bracket.



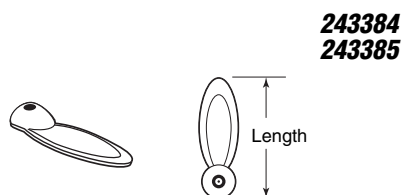
243384 (3/4" length)

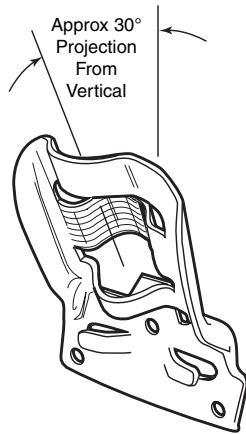
243385 (1" length)

Picture Retainer Clips

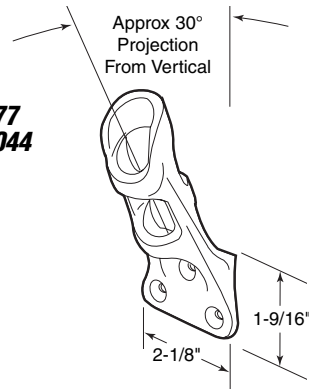
Contents: 8 clips with nails.

Description: Metal clips installed on back of picture frame; secures matting, art and backing in position.





U-9377
U-10044



Banner and Flag Pole Holders (Steel)

Call for Availability

Contents: 1 holder; 1 set of installation screws.

Finish (Part Number)

Pole Diameter	Clear Zinc Plated	Brass Plated	White Painted
3/4"	U-9378	U-10042	U-9379
1"	U-10020	U-10043	U-10021

Description: Sturdy painted or plated steel construction; weather resistant; 30° projection from vertical.

U-9377 (Mill finish)

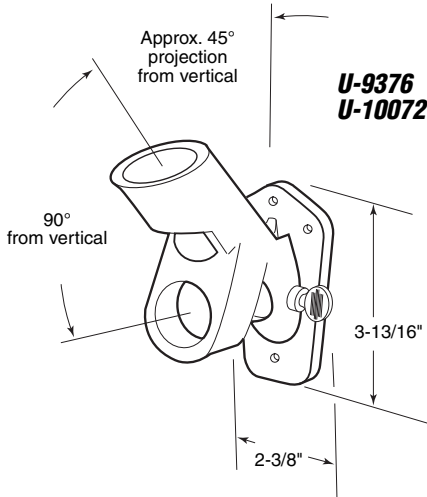
U-10044 (White painted)

Call for Availability

Flag Pole Holder (Cast aluminum)

Contents: 1 holder; 1 set of installation fasteners.

Description: Rustproof; holds poles up to 3/4" diameter; 30° projection from vertical.



U-9376
U-10072

U-9376 (Off-white)

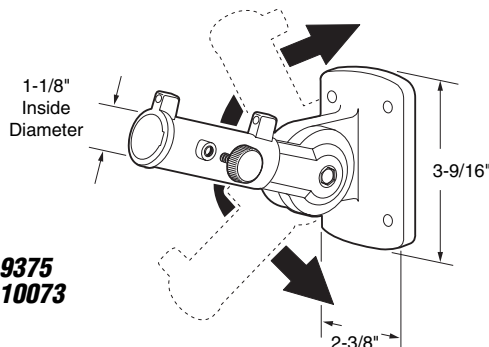
U-10072 (Brown)

Call for Availability

Banner and Flag Pole Holder (Heavy duty plastic)

Contents: 1 holder with set screws; 1 set of installation fasteners.

Description: 45° and 90° projections from vertical; holds poles up to 1-1/8" diameter; thumbscrews secure pole to holder; sturdy support base.



U-9375
U-10073

U-9375 (Off-white)

U-10073 (Brown)

Banner and Flag Pole Holder (Deluxe plastic)

Contents: 1 holder with set screws; 1 set of installation fasteners.

Description: Fully adjustable angle settings; holds pole up to 1-1/8" diameter and windsock rods up to 1/4" diameter; knurled head thumbscrew secures pole to holder.

U-9380 (1" pole)

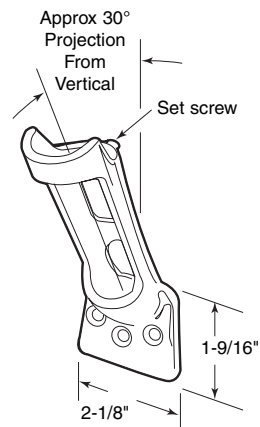
U-10074 (3/4" pole)

Flag Pole Holder (Polished brass)

Contents: 1 holder; 1 set of installation fasteners.

Description: Solid brass; holds 3/4" or 1" diameter poles; supports up to 95 lbs per unit. Very attractive, upscale holder.

U-9380
U-10074

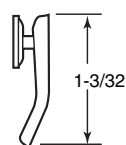
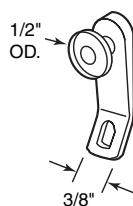


223050

Drapery Track Carrier

Contents: 12 carriers.

Description: Nylon drapery carrier fits most standard "C" style tracks.



223050

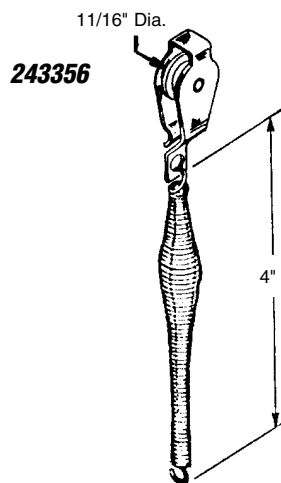
243356 (Plated steel housing)

243535 (White plastic housing)

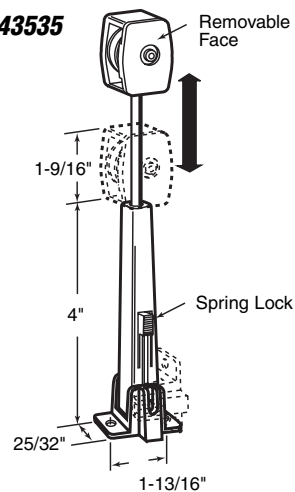
Drapery Cord Tension Spring & Pulley

Contents: 2 pulley assemblies; 2 no. 8 x 1-1/2" Phillips pan head sheet metal screws.

Description: Spring loaded assembly; nylon roller; provides proper cord tension.



243535



U-9015 (Ivory Head)

U-9191 (White Head)

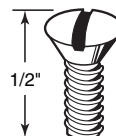
U-9316 (Nickel Plated)

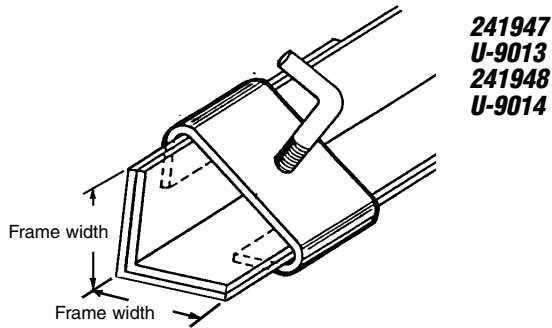
Cover Plate Screw (No. 6-32 x 1/2")

Contents: 100 screws per poly bag.

Description: Metal machine screw designed for plug and switch cover plate attachment. Painted screw head surfaces to match cover plates.

U-9015
U-9191
U-9316





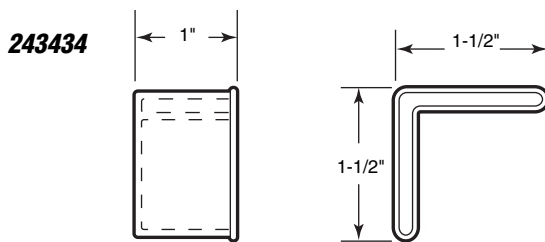
241947 (1" frame width - carded)
U-9013 (1" frame width - bulk)
241948 (1-1/4" frame width - carded)
U-9014 (1-1/4" frame width - bulk)

Bed Frame Rail Clamps

Contents: Carded- 2 per package
 Bulk- 50 pcs. in self-dispensing box.

Description: Heavy gauge **steel** bracket; **zinc plated**; used to secure bed frame meeting rails.

You may also wish to stock these related parts: **243434**.

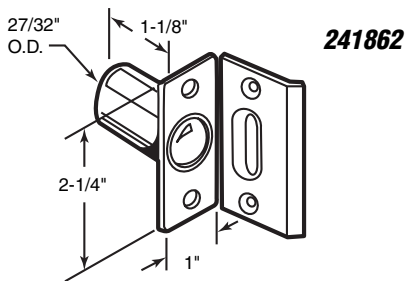


243434
Bed Rail End Cap (Brown)

Contents: 4 end caps.

Description: **Plastic** end caps install on end of bed frame rail.

You may also wish to stock these related parts: **241947**; **241948**.

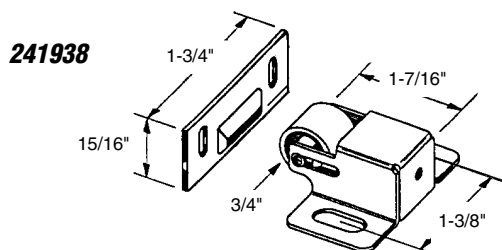


241862 (Brass finish)

Bullet Catch

Contents: 1 catch; 1 strike; 1 set of installation screws.

Description: Heavy duty **plated diecast** bullet catch with **plated steel** strike; designed for use on interior closet and utility doors.



241938 (Brass finish)

Roller Catch

Contents: 1 catch; 1 strike; 1 set of installation screws.

Description: **Plated steel** housing and strike; spring loaded **nylon roller**; designed for use on interior closet and cabinet doors.

House Numbers (4-1/4")

Contents: 10 numbers with nails (Bulk Pack).

Number	Finish (Part Number)	
	Black	Brass
0	S-4110	S-4280
1	S-4111	S-4281
2	S-4112	S-4282
3	S-4113	S-4283
4	S-4114	S-4284
5	S-4115	S-4285
6	S-4116	S-4286
7	S-4117	S-4287
8	S-4118	S-4288
9	S-4119	S-4289

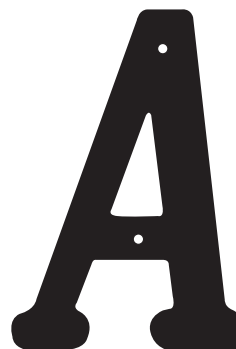
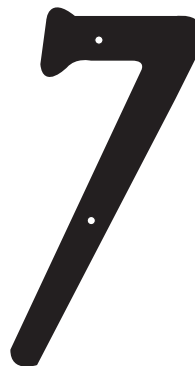
Description: Painted and plated diecast construction; corrosion resistant; 4-1/4" tall for easy visibility. Each number is individually poly-bagged.

House Letters (4-1/4")

Contents: 10 letters with nails (Bulk Pack).

Letter	Finish (Part Number)	
	Black	Brass
A	S-4106	S-4292
B	S-4107	S-4293
C	S-4108	S-4294
D	S-4109	S-4295
E	S-4291	S-4296
F	S-4248	S-4252

Description: Painted and plated diecast construction; corrosion resistant; 4-1/4" tall for easy visibility. Each letter is individually poly-bagged.

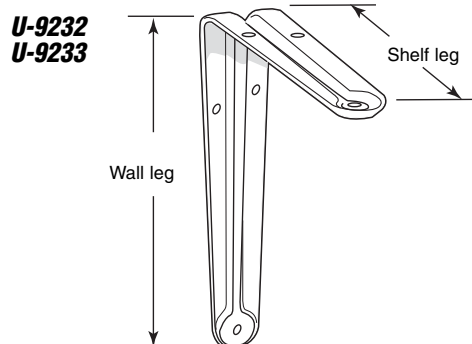


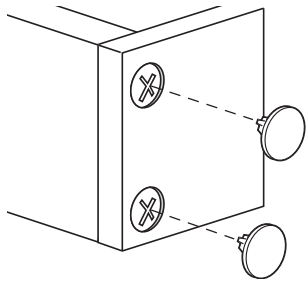
U-9232 (6" shelf leg x 8" wall leg)
U-9233 (10" shelf leg x 12" wall leg)

Shelf Bracket

Contents: 10 brackets (Bulk).

Description: Painted gray steel shelf bracket can be used as a support or brace for various 6" and 10" shelving applications.





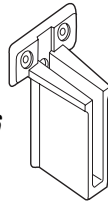
U-10036
U-10037
U-10038

U-10036 (White)
U-10037 (Beige)
U-10038 (Brown)

Screw Caps

Contents: 24 caps.

Description: Plastic caps press into drywall screw heads to offer a finished appearance to many homeowner projects.



N-7016

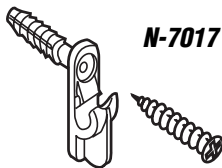
N-7016

Wire Shelf End Bracket

Contents: 2 brackets.

Description: Plastic brackets used to attach wire shelving to side walls.

You may wish to stock these related parts: **N-7017, N-7018, N-7019, N-7020.**



N-7017

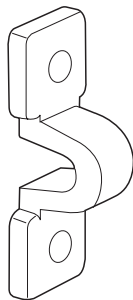
N-7017

Wire Shelf Wall Clip

Contents: 4 clips with screws.

Description: Plastic clip with built in anchor; used to secure back edge of wire rack to wall; use one clip every 12" inches.

You may wish to stock these related parts: **N-7016, N-7018, N-7019, N-7020.**



N-7018

N-7018

Wire Shelf Loop Clip

Contents: 4 clips with screws.

Description: Plastic clip used to clamp rear cross wire of shelf into wall stud for additional support.

You may wish to stock these related parts: **N-7016, N-7017, N-7019, N-7020.**



N-7019

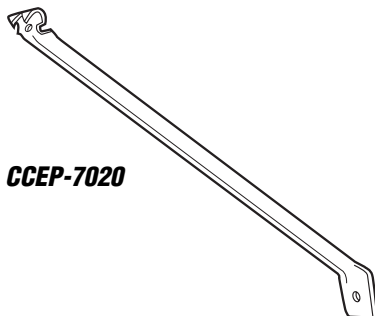
N-7019

Wire Shelf End Cap

Contents: 12 caps.

Description: Plastic end caps fit 5/16" wire; used to cap ends of cross wires on wire shelving; protects against sharp edges.

You may wish to stock these related parts: **N-7016, N-7017, N-7018, N-7020.**



CCEP-7020

CCEP-7020

Wire Shelf Support Bracket (Bulk)

Contents: (10) 12" brackets.

Description: Powder coated steel bracket; supports wire shelving.

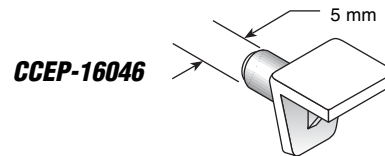
You may wish to stock these related parts: **N-7016, N-7017, N-7018, N-7019.**

CCEP-16046 (White)

Shelf Peg (5 mm)

Contents: 12 pegs/bag (50 bags/display box).

Description: Plastic shelf pegs with 5 mm (3/16") diameter peg; fits many K.D. style cabinets.

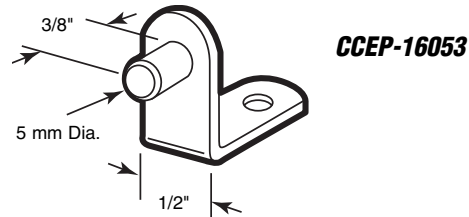


CCEP-16053 (Nickel plated)

Shelf Peg (5 mm)

Contents: 4 pegs/bag (50 bags/display box).

Description: Plated steel pegs with 5 mm (3/16") diameter peg; fits many K.D. style cabinets.



CCEP-16051 (White)

Hole Cap (5 mm)

Contents: 48/bag (50 bags/display box).

Description: Plastic hole caps neatly plug unused peg holes in many K.D. style cabinets; use in 5 mm (3/16") peg holes.

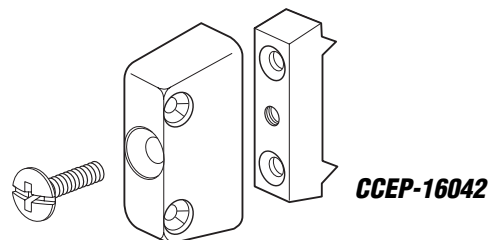


CCEP-16042 (White)

Corner Connectors

Contents: 4 connectors and (16) #6 x 1" Phillips flat head sheet metal screws (25 bags/display box).

Description: 2 piece plastic corner connectors simplify assembly of K.D. cabinet walls with strong overlap construction.



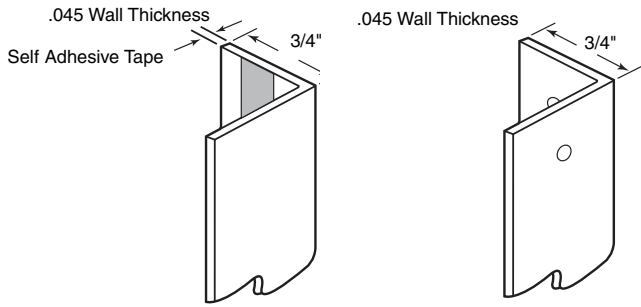
CCEP-16044

Screw and Cap

Contents: (12) #7 x 1-1/2" Phillips head fine drywall screws and 12 caps per bag (50 bags/display box).

Description: White plastic caps press into Phillips style screw heads to offer finished look; fits many K.D. style cabinet applications.





Corner Shields (3/4" x 3/4")

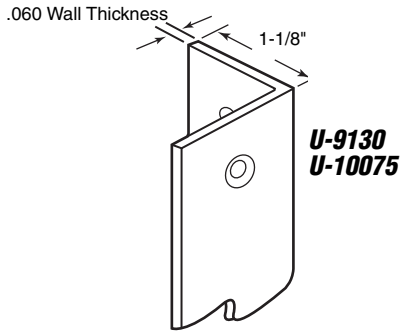
Contents: 1 piece; 1 set of drive nails or self adhesive backed.

Color (Part Number)

Length	Clear		White	
	w/holes	w/tape	w/holes	w/tape
48"	U-9129	U-10081	U-10084	U-10066
96"	U-10082	U-10083	U-10085	U-10086

Description: Extruded vinyl shield; used for protecting or repairing wall corners from chipped paint, torn wallpaper or fingerprints.

Note: Minimum order - 12 pieces.



U-9130 (48" long - with holes)

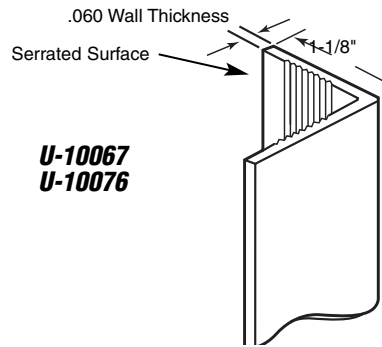
U-10075 (96" long - with holes)

Corner Shields (1-1/8" x 1-1/8")

Contents: 1 length; 1 set of #6 x 1" Phillips oval head sheet metal screws.

Description: Clear vinyl shield; pre-drilled with countersunk holes; used for protecting or repairing wall corners from chipped paint, torn wallpaper or fingerprints.

Note: Minimum order - 12 pieces.



U-10067 (48" long - no holes)

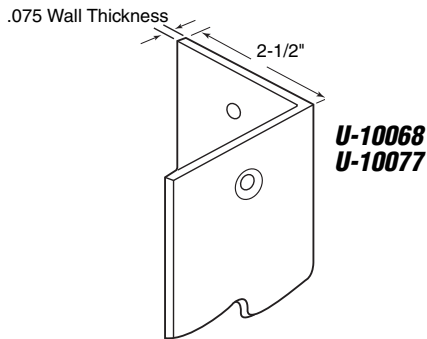
U-10076 (96" long - no holes)

Corner Shields (1-1/8" x 1-1/8")

Contents: 1 length.

Description: White vinyl shield; embossed serration on interior surface; apply latex silicon sealant to serrated surface and press on to corner; used for protecting or repairing wall corners from chipped paint, torn wallpaper or fingerprints.

Note: Minimum order - 12 pieces.



U-10068 (48" long - with holes)

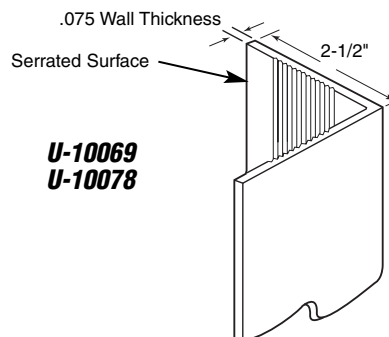
U-10077 (96" long - with holes)

Corner Shields (2-1/2" x 2-1/2")

Contents: 1 length; 1 set of #6 x 1" Phillips oval head sheet metal screws.

Description: Clear vinyl shield; pre-drilled with countersunk holes; used for protecting or repairing wall corners from chipped paint, torn wallpaper or fingerprints.

Note: Minimum order - 6 pieces.



U-10069 (48" long - no holes)

U-10078 (96" long - no holes)

Corner Shields (2-1/2" x 2-1/2")

Contents: 1 length.

Description: White vinyl shield; embossed serration on interior surface; apply latex silicon sealant to serrated surface and press on to corner; used for protecting or repairing wall corners from chipped paint, torn wallpaper or fingerprints.

Note: Minimum order - 6 pieces.